

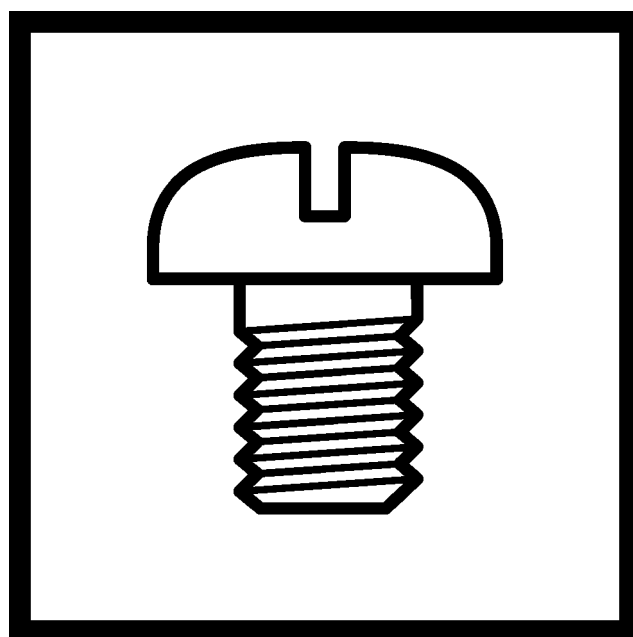
# ST-8430D ST-8438D

零件手册  
PARTS BOOK

---

直接驱动式电脑平缝打结机  
直接驱动式电脑平缝钉扣机

ELECTRONIC DIRECT DRIVE LOCKSTITCH BAR TACKER  
ELECTRONIC DIRECT DRIVE LOCKSTITCH BUTTON SEWER



---

***Suote***

# 零件手册的使用说明

1. 本手册是根据截止至2007年12月的资料为基准而编制的。
2. 零部件设计若有变动，恕不另行通知。
3. 以组件为单位供应的零部件用虚线框出。

## 目 录

A. 机体部分 .....	1
B. 上轴·针杆装置 .....	3
C. 送料装置 .....	5
D. 抬压装置 .....	9
E. 钮夹装置 (ST-8438D) .....	11
F. 下轴装置 .....	13
G. 供油润滑装置 .....	15
H. 穿线装置 .....	17
J. 卷线装置 .....	19
K. 切线装置 .....	21
L. 扫线装置 .....	25
M. 松线装置 .....	27
N. 夹线装置 .....	29
P1. 控制箱装置 .....	31
P2. 控制箱装置(电源基板) .....	33
Q. 开关装置 .....	35
R. 电气部品装置 .....	37
S. 操作盘装置 .....	39
T. 马达装置 .....	41
U. 踏板关系 .....	43
V1. 辅助装置 (用于ST-8438D的选购零部件) .....	45
V2. 辅助装置 (用于ST-8438D的选购零部件) .....	47
Z. 附件 .....	49
Sp. 不同规格零部件一览表 .....	53
Ga. 工模具一览表 .....	55
Wa. 警告标签 .....	58
索引 .....	59

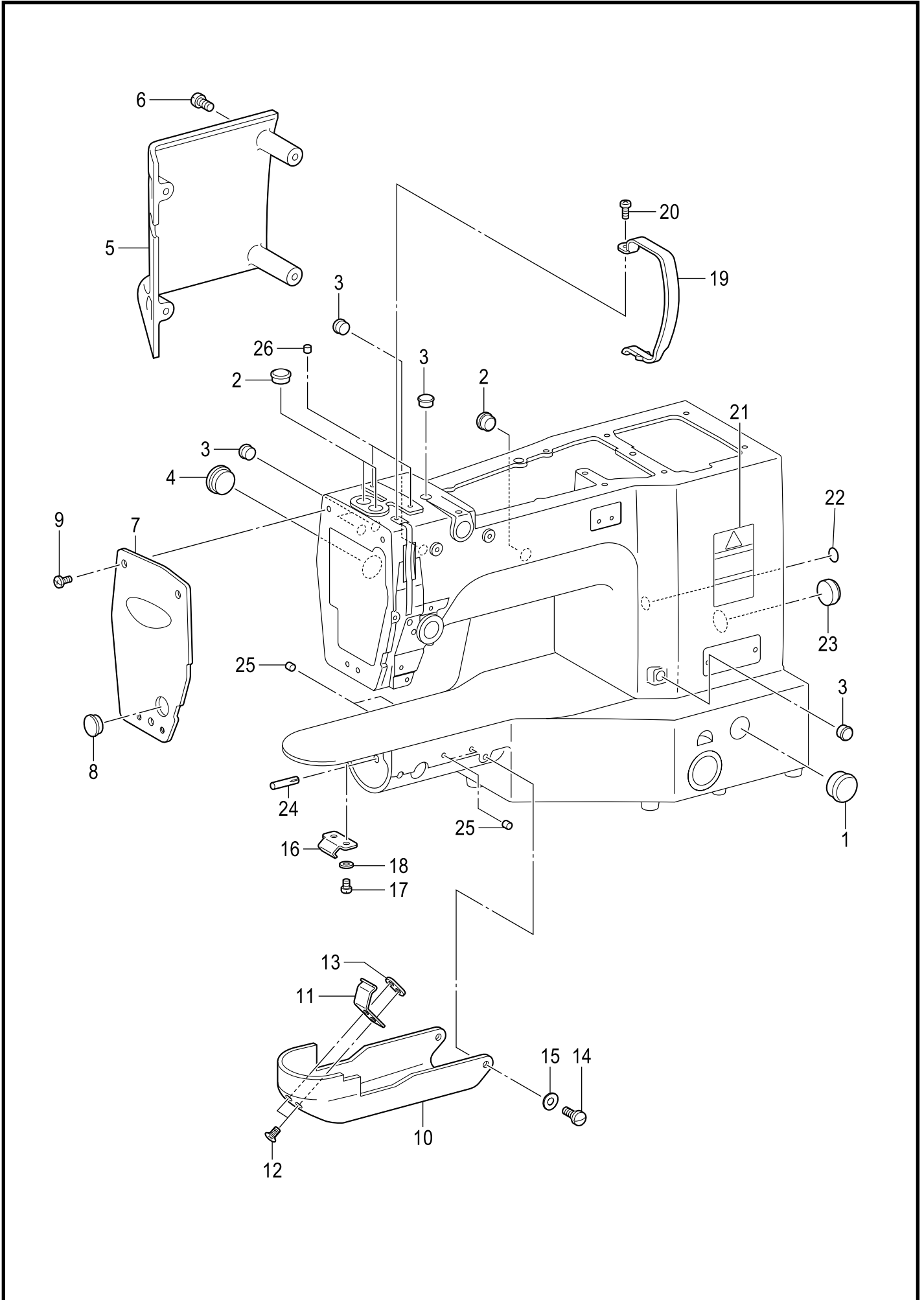
# Notes for using this parts book

1. This book was prepared based on information available in December 2007.
2. Parts are subject to changes in design without prior notice.
3. Parts supplied as complete assemblies are circled by a dotted line.

## CONTENTS

A. Machine body .....	1
B. Upper shaft and needle bar mechanism .....	3
C. Feed mechanism .....	5
D. Work clamp lifter mechanism .....	9
E. Button clamp mechanism (ST-8438D) .....	11
F. Lower shaft mechanism .....	13
G. Lubrication .....	15
H. Threading mechanism .....	17
J. Bobbin winder mechanism .....	19
K. Thread trimmer mechanism .....	21
L. Thread wiper mechanism .....	25
M. Tension release mechanism .....	27
N. Thread nipper mechanism .....	29
P1. Control box mechanism .....	31
P2. Control box (PCB) mechanism .....	33
Q. Power switch mechanism .....	35
R. Power supply equipment mechanism .....	37
S. Operation panel mechanism .....	39
T. Motor mechanism .....	41
U. Foot switch pedal mechanism .....	43
V1. Auxiliary device (Option parts for ST-8438D ) .....	45
V2. Auxiliary device (Option parts for ST-8438D ) .....	47
Z. Accessories .....	49
Sp. Different parts list .....	53
Ga. Gauge parts list .....	55
Wa. Warning labels .....	58
Index .....	59

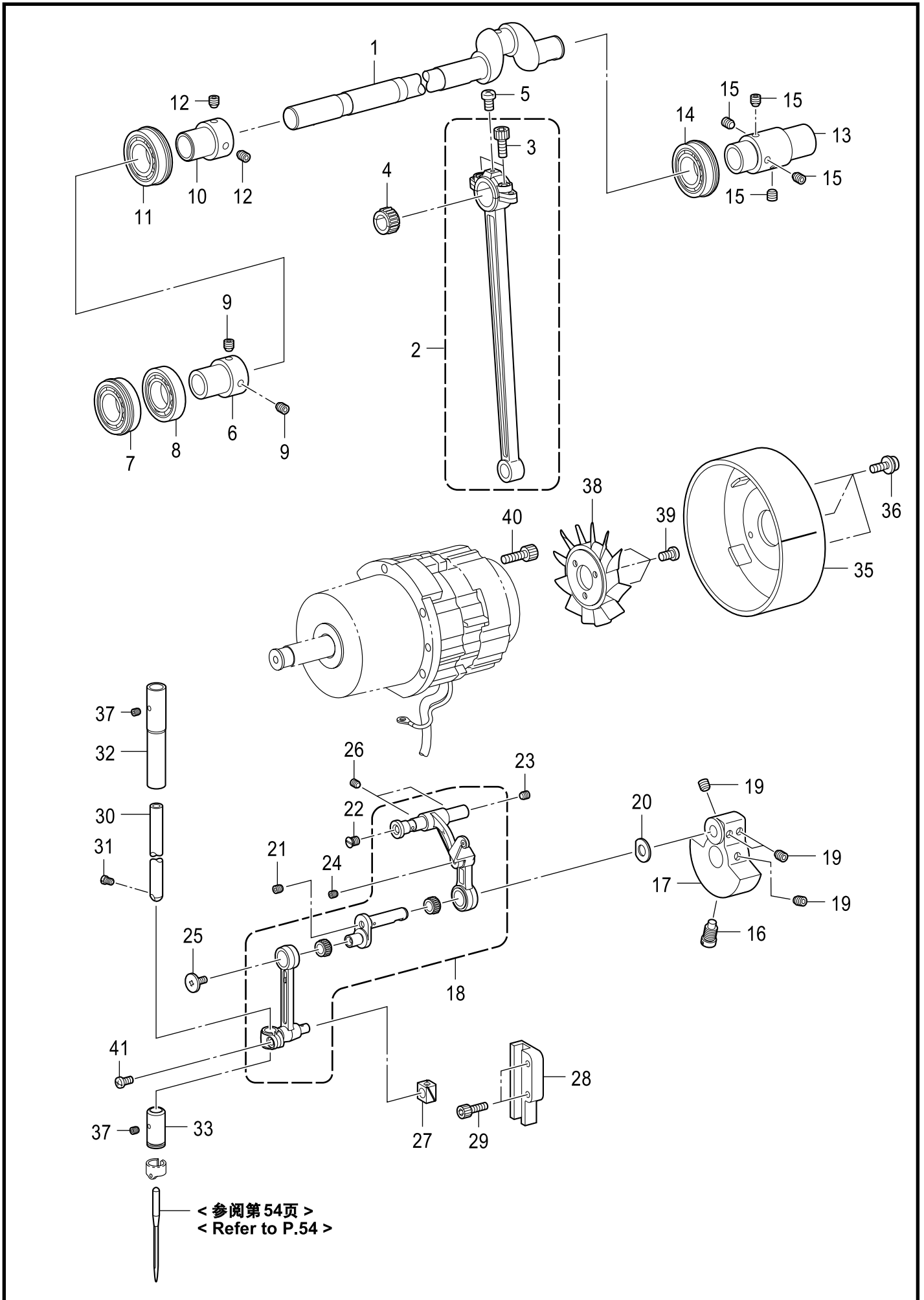
A . 机体部分 / Machine body



## A. 机体部分 / Machine body

参照号	零部件序号	数量	零部件名称	NAME OF PARTS	RM
1	140392009	1	油盖	OIL CAP	
2	117934001	3	橡皮塞 13.5	RUBBER CAP, 13.5	
3	104821001	5	橡皮塞 10.5	RUBBER CAP, 10.5	
4	140392009	1	油盖	OIL CAP	
5	SA3260001	1	侧面盖板	FRAME SIDE COVER	
6	062061016	4	螺钉 M6X10	SCREW, PAN M6X10	
7	SA3199001	1	主面板	FACE PLATE	
8	104449001	1	橡皮塞 15.5	RUBBER CAP, 15.5	
9	062501016	3	螺钉 M5X10	SCREW, PAN M5X10	
10	SA3262101	1	大旋梭盖	SHUTTLE RACE COVER	
11	SA3263001	1	大旋梭盖钩 D	SHUTTLE RACE COVER HOOK D	
12	004300513	2	螺钉 M3X5	SCREW, FLAT M3X5	
13	SA3264001	1	板螺母	NUT PLATE	
14	SA3265001	2	轴位螺钉 8-2	SHOULDER SCREW, 8-2	
15	109239002	2	弹簧垫圈	WASHER, WAVE SPRING	
16	SA3266101	1	大旋梭盖钩 U	SHUTTLE RACE COVER HOOK U	
17	062300416	2	螺钉 M3X4	SCREW, PAN M3X4	
18	025030236	2	平垫圈 M3	WASHER, PLAIN M 3	
19	SA3200101	1	挑线杆防护罩	THREAD TAKE-UP COVER	
20	062401006	1	螺钉 M4X10	SCREW, PAN M4X10	
21	SA2040001	1	<用于中国以外> 操作注意标签(日 / 英)	<Except for China> LABEL, CAUTION JPN/ENG	
21	SA2041001	1	<用于中国> 操作注意标签(中 / 英)	<For China Only> LABEL, CAUTION CHN/ENG	
22	S37060001	1	接地标记	LABEL, GROUNDING	
23	S28044001	1	橡皮塞 20.8	RUBBER CAP, 20.8	
24	117608001	1	开口销	DOWEL PIN	
25	S20878000	4	橡皮塞 5.3	RUBBER CAP, 5.3	
26	S20878000	2	橡皮塞 5.3	RUBBER CAP, 5.3	

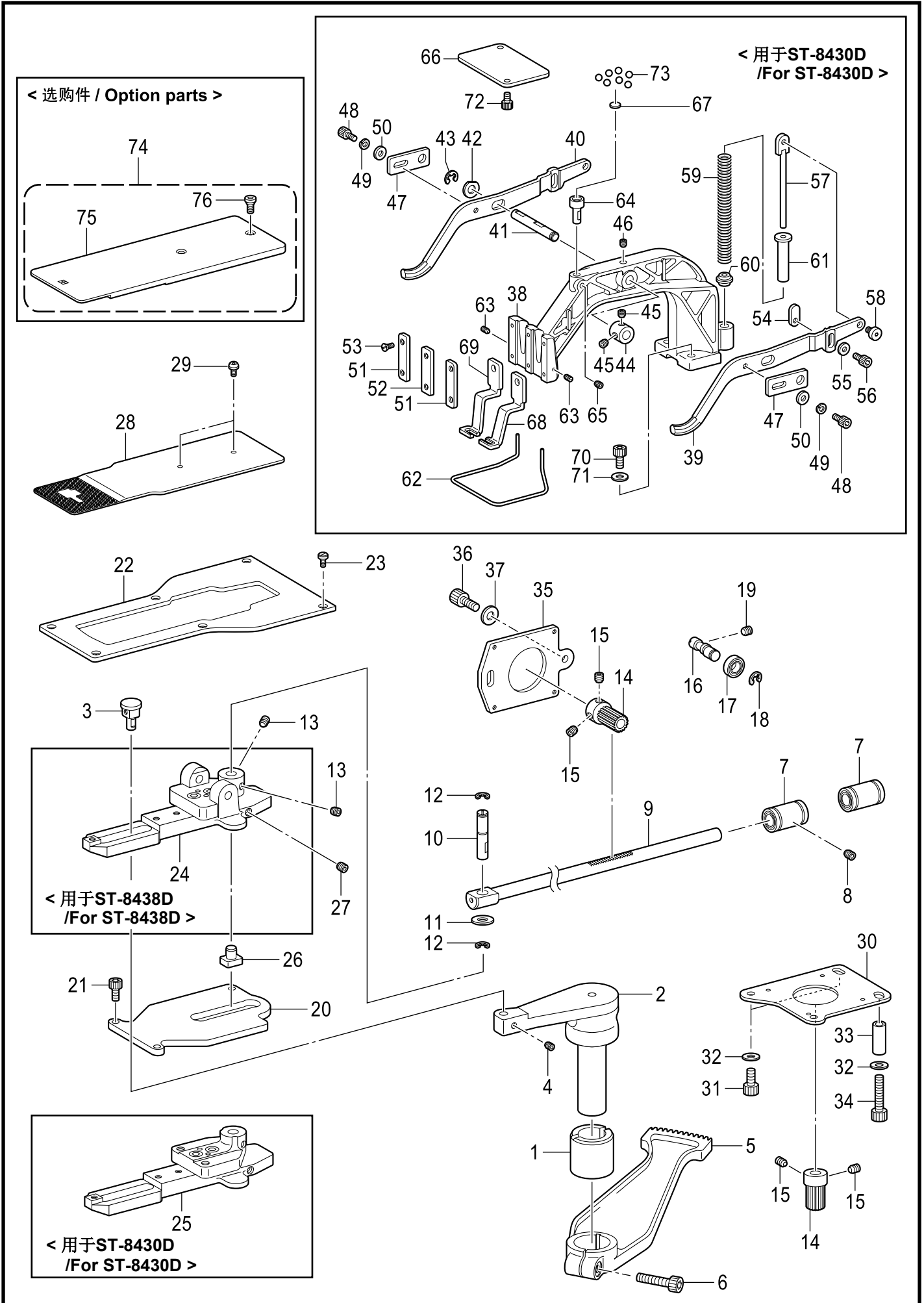
B. 上轴 · 针杆装置 / Upper shaft and needle bar mechanism



B. 上轴 · 针杆装置 / Upper shaft and needle bar mechanism

参照号	零部件序号	数量	零部件名称	NAME OF PARTS	RM
1	SA3201101	1	上轴	UPPER SHUFT	
2	SA3499001	1	曲柄轴组件	CRANK ROD ASSY	
3	018501636	2	螺栓 M5X16	BOLT, SOCKET M5X16	
4	SA4172001	1	滚针轴承	NEEDLE BEARING	
4	SA4173001	1	滚针轴承	NEEDLE BEARING	
4	SA4174001	1	滚针轴承	NEEDLE BEARING	
4	SA4175001	1	滚针轴承	NEEDLE BEARING	
5	062300416	1	螺钉 M3X4	SCREW, PAN M3X4	
6	SA3206001	1	轴承套	BALL BEARING BUSH	
7	SA4179001	1	轴承 6904DDUNR	BALL BEARINH, 6904DDUNR	
8	SA4180001	1	轴承 R-6904DDU	BALL BEARING, RADIAL 6904DDU	
9	S23651001	2	固定螺钉 M6X6	SET SCREW, SOCKET (FT) M6X6	
10	SA3206001	1	轴承套	BALL BEARING BUSH	
11	SA4177001	1	轴承 6004DDUNR	BALL BEARING, 6004DDUNR	
12	S23651001	2	固定螺钉 M6X6	SET SCREW, SOCKET (FT) M6X6	
13	SA3210001	1	<用于ST-8430D> 管接头 A	<For ST-8430D> JOINT, A	
13	SA3589001	1	<用于ST-8438D> 管接头 B	<For ST-8438D> JOINT, B	
14	SA4178001	1	轴承 6204DDUNR	BALL BEARING 6204DDUNR	
15	S23651001	4	固定螺钉 M6X6	SET SCREW, SOCKET (FT) M6X6	
16	S25235001	1	螺钉 M8	SCREW, M8	
17	SA3497001	1	<用于ST-8430D> 曲柄 C	<For ST-8430D> THREAD TAKE-UP CRANK, C	
18	SA6563001	1	针杆连杆组件 A	THREAD TAKE-UP LEVER, A SET	
17	SA3591001	1	<用于ST-8438D> 平衡曲柄 B	<For ST-8438D> THREAD TAKE-UP CRANK, B	
18	SA4327001	1	针杆连杆组件 B	THREAD TAKE-UP LEVER B SET	
19	S23651001	4	固定螺钉 M6X6	SET SCREW, SOCKET (FT) M6X6	
20	110367001	1	垫圈 8	WASHER, PLAIN SPECIAL 8	
21	012300336	1	螺钉 M3X3	SET SCREW, SOCKET (FT) M3X3	
22	SA2958001	1	螺钉 M5X6	SCREW, FLAT M5X6	
23	012500536	1	螺钉 M5X5	SET SCREW, SOCKET (FT) M5X5	
24	012300336	1	螺钉 M3X3	SET SCREW, SOCKET (FT) M3X3	
25	145465001	1	螺钉 SM3.57-40X6L	SCREW, SM3.57-40X6 L	
26	012060636	2	螺钉 M6X6	SET SCREW, SOCKET (FT) M6X6	
27	SA3488001	1	滑块	SLIDE BLOCK	
28	SA3528001	1	滑块导向 B	SLIDE BLOCK GUIDE	
29	018401636	2	螺栓 M4X16	BOLT, SOCKET M4X16	
30	SA3222001	1	针杆 A	NEEDLE BAR, A	
31	144458001	1	螺钉 SM3.57-40X4.5	SET SCREW, SM3.57-40X4.5	
32	SA3223001	1	针杆轴套 U	NEEDLE BAR BUSH, U	
33	SA3224001	1	针杆轴套 D	NEEDLE BAR BUSH, D	
35	SA3225101	1	上轮	PULLEY	
36	SA3025001	3	螺栓(带垫圈) M4X10DA	SCREW, PAN (S/P WASHER) M4X10	
37	012500536	2	螺钉 M5X5	SET SCREW, SOCKET (FT) M5X5	
38	S38713100	1	叶轮	FAN	
39	062400806	3	螺钉 M4X8	SCREW, PAN M4X8	
40	018501636	4	螺栓 M5X16	BOLT, SOCKET M5X16	
41	062400816	1	螺钉 M4X8	SCREW, PAN M4X8	

C. 送料装置 / Feed mechanism



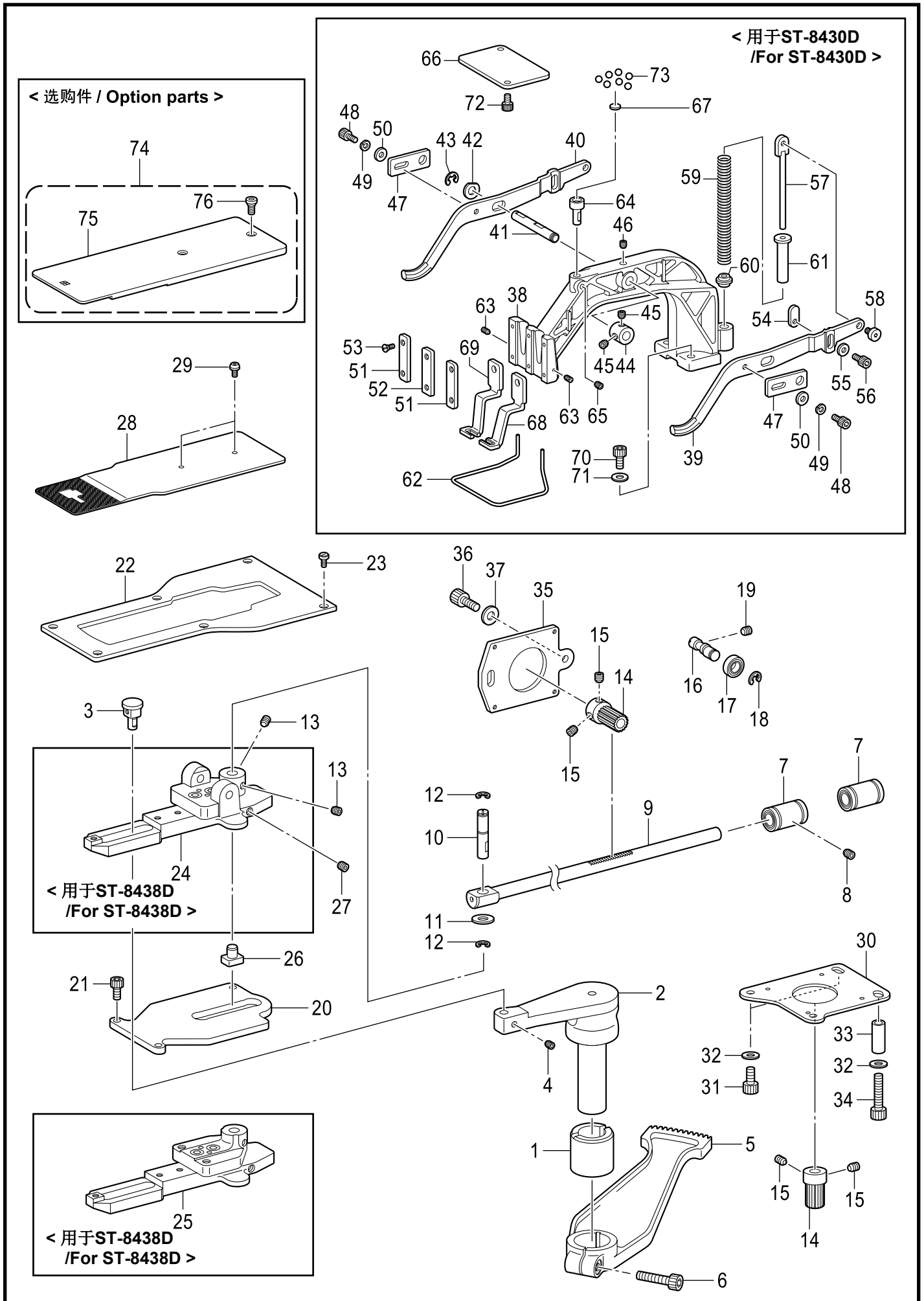


C. 送料装置 / Feed mechanism

参照号	零部件序号	数量	零部件名称	NAME OF PARTS	RM
1	SA3363001	1	送料杆轴套 (X)	X-FEED LEVER BUSH	
2	SA3364001	1	送料杆 (X)	X-FEED LEVER	
3	SA3533001	1	送料杆滑块组件 (X)	T-LENGTH REGULATOR BLOCK ASSY	
4	012500536	1	螺钉 M5X5	SET SCREW, SOCKET (FT) M5X5	
5	SA3366001	1	送料齿轮 (X)	X-FEED GEAR	
6	018063036	1	螺栓 M6X30	BOLT, SOCKET M6X30	
7	XC5780001	2	轴向轴承 10	BEARING 10, LINER	
8	012060636	2	螺钉 M6X6	SET SCREW, SOCKET (FT) M6X6	
9	SA3367001	1	齿条轴 (Y)	Y-FEED RACK SHAFT	
10	SA3368001	1	轴销 (Y)	Y-CONNECTING PIN	
11	153113001	1	垫圈	THRUST WASHER	
12	048060342	2	挡圈 E6	RETAINING RING, E6	
13	012060636	2	螺钉 M6X6	SET SCREW, SOCKET (FT) M6X6	
14	SA4197001	2	送料齿轮	FEED GEAR	
15	012060636	4	螺钉 M6X6	SET SCREW, SOCKET (FT) M6X6	
16	SA3370001	1	偏心轴	ECCENTRIC SHAFT	
17	070608800	2	R球轴承 608ZZ	BALL BEARING RADIAL 608ZZ	
18	048080142	1	轴用挡圈 C8	RETAINING RING, EXTERNAL C8	
19	012060636	1	螺钉 M6X6	SET SCREW, SOCKET (FT) M6X6	
20	SA3371001	1	送料台支板	FEED BAR SUPPORT PLATE	
21	018401036	3	螺栓 M4X10	BOLT, SOCKET M4X10	
22	SA3372001	1	送料台盖板	FEED BAR COVER	
23	SA3538001	6	螺钉 M4X8	SCREW, M4X8	
24	SA3604001	1	<用于ST-8438D> 送料台小组件 B	<For ST-8438D> FEED BAR SUB ASSY B	
25	SA3373001	1	<用于ST-8430D> 送料台小组件 A	<For ST-8430D> FEED BAR SUB ASSY A	
26	SA3534001	1	送料滑块组件 (Y)	T-WIDTH REGULATOR BROCK ASSY	
27	012060636	1	螺钉 M6X6	SET SCREW, SOCKET (FT) M6X6	
28	* P. 54-56	1	送料板	FEED PLATE	
29	153057101	2	螺钉 SM4.37	SCREW, ROUND W/SOCKET SM4.37	
30	SA3381001	1	马达安装板 (X)	X-MOTOR SETTING PLATE	
31	018061236	2	螺栓 M6X12	BOLT, SOCKET M6X12	
32	025060236	3	平垫圈 M6	WASHER, PLAIN M 6	
33	SA3708001	1	套筒	COLLAR	
34	018063536	1	螺栓 M6X35	BOLT, SOCKET M6X35	
35	SA3382001	1	马达安装板 (Y)	Y-MOTOR SETTING PLATE	
36	018061236	2	螺栓 M6X12	BOLT, SOCKET M6X12	
37	025060236	2	平垫圈 M6	WASHER, PLAIN M 6	
38	SA3419101	1	<用于ST-8430D> 压脚臂	<For ST-8430D> WORK CLAMP ARM	
39	SA3420001	1	QC压脚臂杆 R	WORK CLAMP ARM LEVER, R	
40	SA3421001	1	QC压脚臂杆 L	WORK CLAMP ARM LEVER, L	
41	SA3422001	1	QC压脚臂杆轴	WORK CLAMP ARM LEVER SHAFT	
42	110367001	1	垫圈 8	WASHER, PLAIN SPECIAL 8	
43	048060346	1	挡圈 E6	RETAINING RING, E6	
44	SA3231001	1	紧圈 B	SET SCREW COLLAR, B	
45	012060536	2	螺钉 M6X5	SET SCREW, SOCKET (FT) M6X5	
46	012500536	1	螺钉 M5X5	SET SCREW, SOCKET (FT) M5X5	
47	SA3423001	2	QC杆轴支架	WORK CLAMP LEVER SUPPORT	
48	018500836	2	螺栓 M5X8	BOLT, SOCKET M5X8	
49	028050246	2	弹簧垫圈 2-5	WASHER, SPRING 2-5	
50	025050236	2	平垫圈 M5	WASHER, PLAIN M 5	
51	SA3424001	2	压脚压板 A	WORK CLAMP GUIDE BRACKET, A	
52	SA3425001	1	压脚压板 B	WORK CLAMP GUIDE BRACKET, B	
53	SA3426001	6	螺钉 M3.5	SCREW, FLAT M3.5	
54	SA3208201	2	压脚高度调节板	WORK CLAMP ARM LEVER PLATE	
55	146354002	2	垫圈 5	WASHER, PLAIN 5	
56	018500836	2	螺栓 M5X8	BOLT, SOCKET M5X8	
57	SA3427101	2	弹簧导向杆	SPRING GUIDE ROD	

ST-8430D/ST-8438D-202

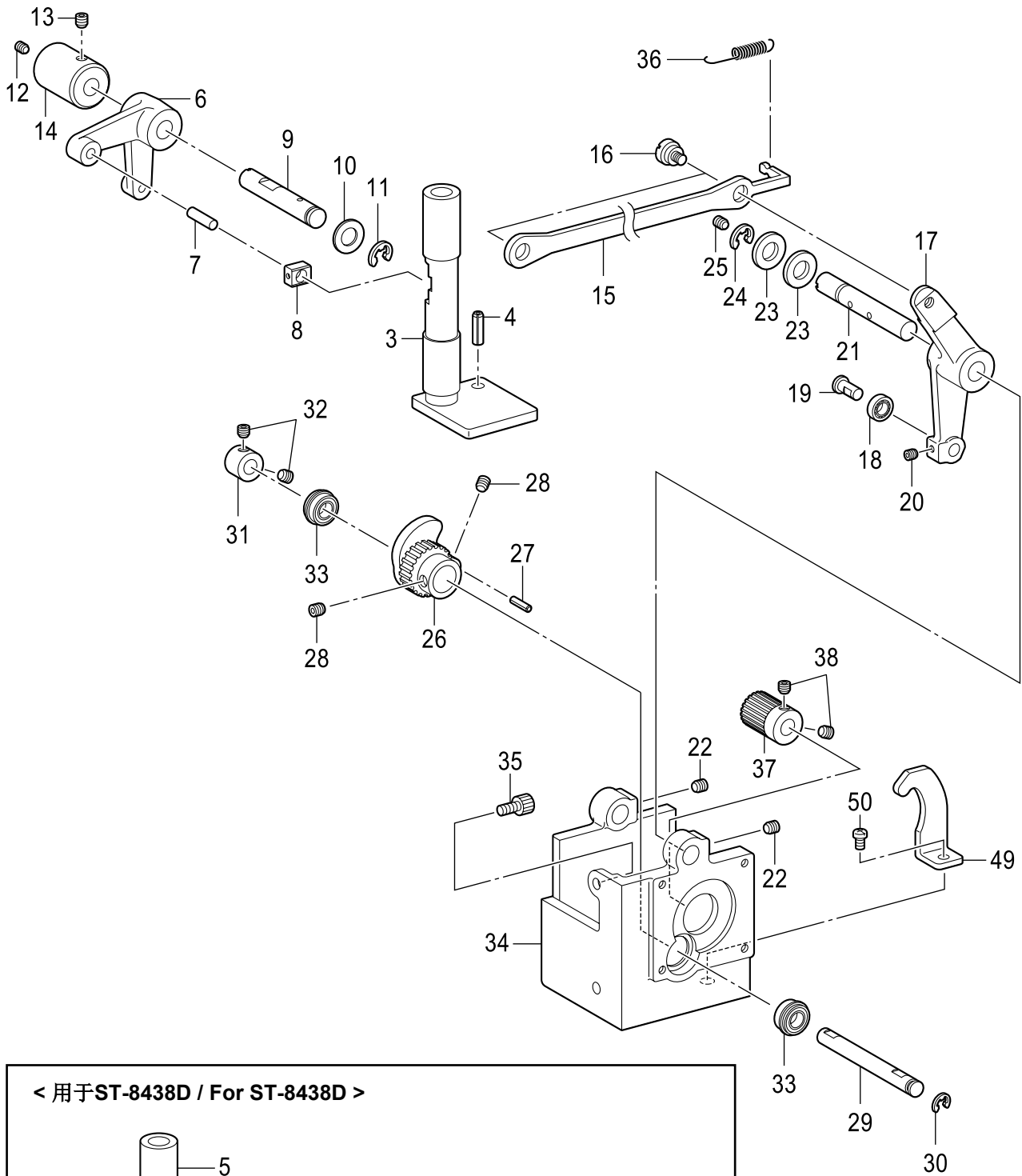
C. 送料装置 / Feed mechanism



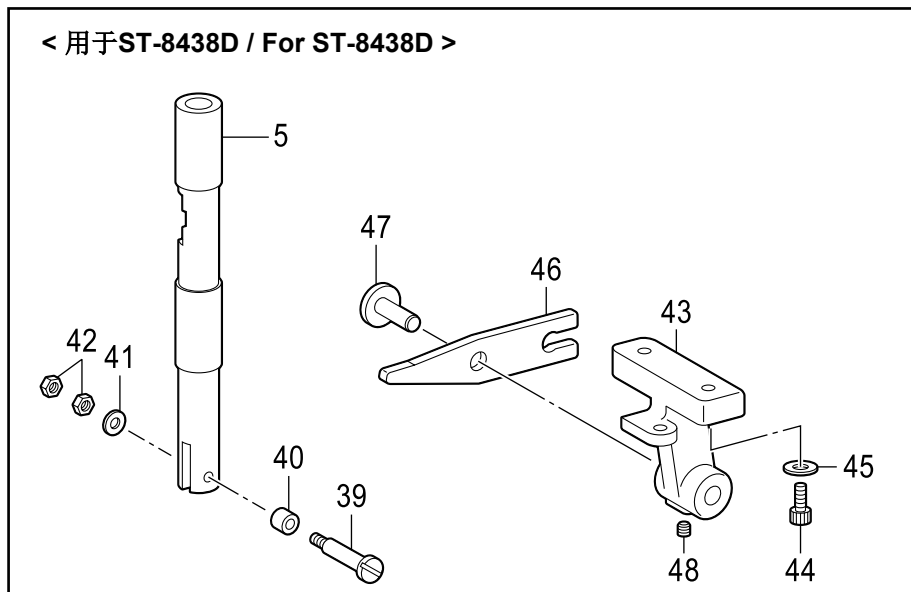
C. 送料装置 / Feed mechanism

参照号	零部件序号	数量	零部件名称	NAME OF PARTS	RM
			<b>&lt;用于ST-8430D&gt;</b>	<b>&lt;For ST-8430D&gt;</b>	
58	SA1179002	2	轴位螺钉 M5	SHOULDER SCREW, M5	
59	153568001	2	弹簧 A	PRESSER SPRING, A	
60	152788000	2	弹簧座圈	PRESSER SPRING SPACER	
61	153567000	2	弹簧导柱	PRESSER SPRING COLLAR	
62	SA4130001	1	护指器	FINGER GUARD	
63	SA2626001	2	螺钉 M3.5	SET SCREW, (CP) M3.5	
64	SA3428001	1	压脚臂短轴	SUPPORT SHAFT, W-CLAMP	
65	012500536	1	螺钉 M5X5	SET SCREW, SOCKET (FT) M5X5	
66	SA3487001	1	压脚臂支板	WORK CLAMP ARM SUPPORT PLATE	
67	SA4145001	1	垫片	SPACER, W-CLAMP	
68	* P. 54-56	1	压脚 R	WORK CLAMP, RIGHT	
69	* P. 54-56	1	压脚 L	WORK CLAMP, LEFT	
70	018061636	2	螺栓 M6X16	BOLT, SOCKET M6X16	
71	025060236	2	平垫圈 M6	WASHER, PLAIN M 6	
72	018400836	2	螺栓 M4X8	BOLT, SOCKET M4X8	
73	071031840	7	钢球 1/8	BEARING BALL, 1/8	
			<b>&lt;选购件&gt;</b>	<b>&lt;Option parts&gt;</b>	
74	SA4198001	1	原点基准板组件	H-POSITION STANDARD PLATE ASSY	
75	S42903001	1	原点基准板	H-POSITION STANDARD PLATE	
76	S49955101	2	螺钉 SM4.37	SCREW, W/SOCKET SM4.37	

D. 抬压装置 / Work clamp lifter mechanism



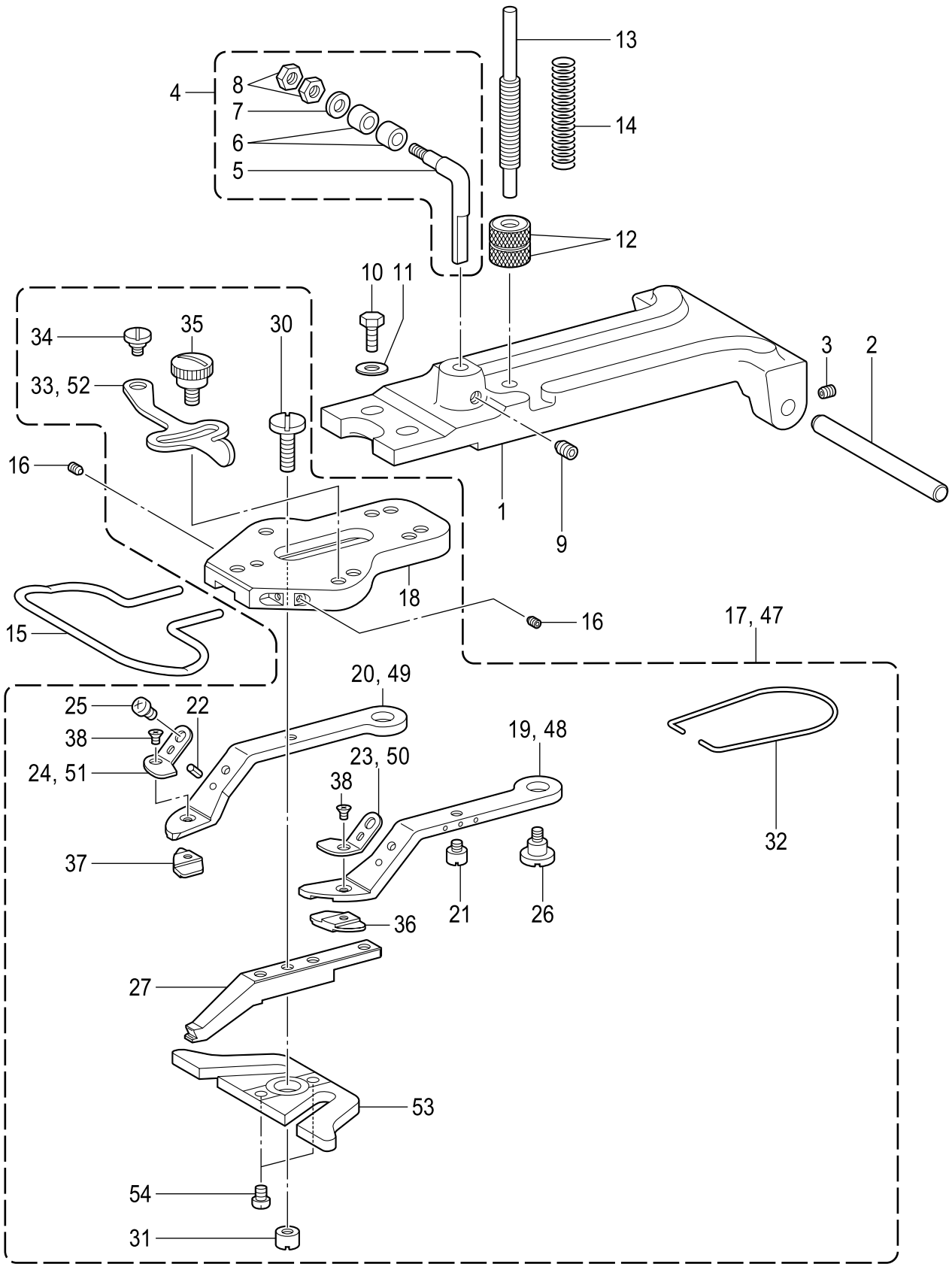
< 用于ST-8438D / For ST-8438D >



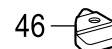
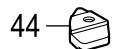
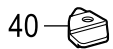
D. 抬压装置 / Work clamp lifter mechanism

参照号	零部件序号	数量	零部件名称	NAME OF PARTS	RM
3	SA3432001	1	<用于ST-8430D> 抬压压脚板	<For ST-8430D> WORK CLAMP LIFTER PLATE	
4	047602042	1	弹簧销 AW6	PIN, SPRING ROLL AW6	
5	SA3628001	1	<用于ST-8438D> 夹扣杆	<For ST-8438D> BUTTON CLAMP ROD	
6	SA3434001	1	抬压杆	LIFTER LEVER	
7	152744001	1	销	PIN	
8	102630001	1	针杆接头滑块	NEEDLE BAR GUIDE SLIDE BLOCK	
9	SA3435001	1	抬压杆轴	LEVER SHAFT	
10	S20356001	1	平垫圈 10	WASHER, PLAIN 10	
11	048080342	1	挡圈 E8	RETAINING RING, E8	
12	012500536	1	螺钉 M5X5	SET SCREW, SOCKET (FT) M5X5	
13	012060636	1	螺钉 M6X6	SET SCREW, SOCKET (FT) M6X6	
14	SA3436001	1	抬压杆轴套	W-CLAMP LIFTER LEVER BUSH	
15	SA3437001	1	抬压杆	LINK	
16	SA3438001	2	轴位螺钉	LINK SHOULDER SCREW	
17	SA3439001	1	抬压驱动杆	DRIVE LEVER W-CLAMP LIFTER	
18	070696800	1	轴承 R-696ZZ	BALL BEARING, RADIAL 696ZZ	
19	SA3441001	1	抬压滚轮轴	W-CLAMP LIFTER ROLLER SHAFT	
20	012500536	1	螺钉 M5X5	SET SCREW, SOCKET (FT) M5X5	
21	SA3442001	1	抬压凸轮杆轴	CAM LEVER SHAFT	
22	012060636	2	螺钉 M6X6	SET SCREW, SOCKET (FT) M6X6	
23	S20356001	2	平垫圈 10	WASHER, PLAIN 10	
24	048080342	1	挡圈 E8	RETAINING RING, E8	
25	012500536	1	螺钉 M5X5	SET SCREW, SOCKET (FT) M5X5	
26	SA3443101	1	抬压凸轮齿轮	CAM GEAR	
27	047301042	1	弹簧销 AW3	PIN, SPRING ROLL AW3	
28	012060636	2	螺钉 M6X6	SET SCREW, SOCKET (FT) M6X6	
29	SA3444001	1	抬压凸轮轴	CAM SHAFT	
30	048060346	1	挡圈 E6	RETAINING RING, E6	
31	SA3231001	1	紧圈 B	SET SCREW COLLAR, B	
32	012060536	2	螺钉 M6X5	SET SCREW, SOCKET (FT) M6X5	
33	070688850	2	R球轴承 688ZZ	BALL BEARING, RADIAL 688ZZ	
34	SA3445001	1	马达底座	MOTOR BRACKET	
35	018061236	2	螺栓 M6X12	BOLT, SOCKET M6X12	
36	SA3446001	1	弹簧	SPRING	
37	SA3707001	1	驱动齿轮 16	GEAR 16	
38	012060536	2	螺钉 M6X5	SET SCREW, SOCKET (FT) M6X5	
39	SA3629001	1	<用于ST-8438D> 夹扣滚轮轴	<For ST-8438D> BUTTON CLAMP ROLLER SHAFT	
40	107744001	1	滚轮	ROLLER	
41	025040236	1	平垫圈 M4	WASHER, PLAIN M 4	
42	021400216	2	六角螺母 M4	NUT, 2 M4	
43	SA3630001	1	夹扣手柄支架	BUTTON CLAMP LEVER HOLDER	
44	018061636	2	螺栓 M6X16	BOLT, SOCKET M6X16	
45	025060236	2	平垫圈 M6	WASHER, PLAIN M 6	
46	SA3631001	1	夹扣手柄	BUTTON CLAMP LEVER	
47	153838001	1	夹扣杆轴	BUTTON CLAMP LEVER SHAFT	
48	012060636	1	螺钉 M6X6	SET SCREW, SOCKET (FT) M6X6	
49	SA4072001	1	抬压凸轮止动板	STOPPER	
50	062061016	1	螺钉 M6X10	SCREW, PAN M6X10	

E. 钮夹装置 (ST-8438D) / Button clamp mechanism (ST-8438D)



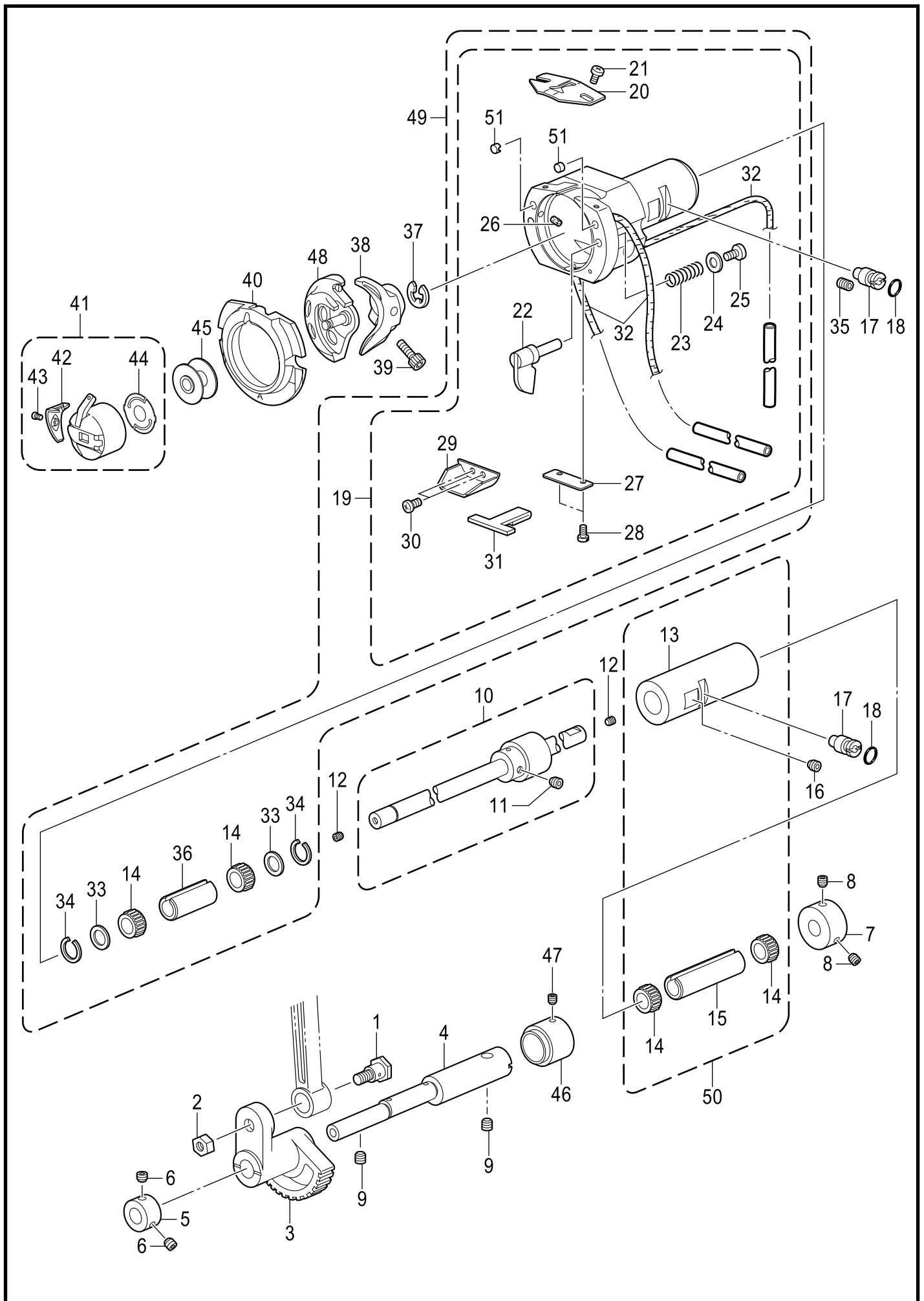
< 选购件 / Option parts >



E. 钮夹装置(ST-8438D) / Button clamp mechanism (ST-8438D)

参照号	零部件序号	数量	零部件名称	NAME OF PARTS	RM
1	153830100	1	钮夹支架	BUTTON CLAMP HOLDER	
2	153827001	1	钮夹支架轴	BUTTON CLAMP HOLDER SHAFT	
3	014680632	2	螺钉 SM4.37-40X6	SET SCREW SOCKET SM4.37-40X6	
4	151968001	1	支架钩组件	BUTTON CLAMP HOLDER HOOK ASSY	
5	151969001	1	支架钩	B-CLAMP HOLDER HOOK	
6	107744001	2	滚轮	ROLLER	
7	153484001	1	垫片 4.76	WASHER, PLAIN 4.76	
8	105234003	2	螺母 SM4.37	NUT SM4.37	
9	014760632	1	螺钉 SM5.95-28X6	SET SCREW SOCKET SM5.95-28X6	
10	017711412	2	螺栓 SM4.76X14	BOLT SM4.76-32X14	
11	146354001	2	垫圈 5	WASHER, PLAIN 5	
12	146994001	2	调整螺母 SM6.35-40	NUT, ROUND SM6.35-40	
13	115148201	1	螺钉 SM6.35-40	ADJUSTING SCREW SM6.35-40	
14	115147001	1	压簧	COMPRESSION SPRING	
15	S49998001	1	护指器	FINGER GUARD	
16	011679312	2	固定螺钉 SM3.57	SET SCREW, (FT) SM3.57	
18	SA9288001	1	钮夹台	BUTTON CLAMP BASE	
21	SA9291001	2	导向销	BUTTON CLAMP GUIDE PIN	
22	047250642	2	弹簧销 AW2.5	PIN SPRING ROLL AW2.5	
25	062400416	2	螺钉 M4X4	SCREW, PAN M4X4	
26	SA9294001	2	轴位螺钉 4	SHOULDER SCREW 4	
53	SA9302001	1	钮夹调节板凸轮	BUTTON CLAMP PLATE CAM	
27	SA9301001	1	钮夹 M	BUTTON CLAMP M	
54	062400816	2	螺钉 M4X8	SCREW PAN M4X8	
30	SA9296001	1	螺钉 4	SCREW 4	
31	SA9297001	1	螺母 4	NUT ROUND 4	
32	115163001	1	板弹簧	BUTTON CLAMP PLATE SPRING	
34	SA9299001	1	轴位螺钉 4	SHOULDER SCREW 4	
35	SA9300001	1	轴位螺钉 4	SHOULDER SCREW 4	
36	S52072101	1	钮夹垫 BL	BUTTON CLAMP SPACER BL	
37	S52076101	1	钮夹垫 BR	BUTTON CLAMP SPACER BR	
38	S01694001	2	螺钉 SM2.38X4	SCREW, FLAT SM2.38X4	
			<钮扣尺寸为 $\phi 8 \sim \phi 20$ >	<FOR BUTTON SIZE $\phi 8 \sim \phi 20$ >	
17	SA9287001	1	钮夹组件 S	BUTTON CLAMP ASSY S	
19	SA9289001	1	钮夹 L-S	BUTTON CLAMP L-S	
20	SA9290001	1	钮夹 R-S	BUTTON CLAMP R-S	
23	SA9292001	1	钮夹L板弹簧 S	BUTTON CLAMP L PLATE SPRING S	
24	SA9293001	1	钮夹R板弹簧 S	BUTTON CLAMP R PLATE SPRING S	
33	SA9298001	1	钮夹调节板	BUTTON CLAMP ADJUSTING PLATE	
			<选购件>	<Option parts>	
			<钮扣尺寸为 $\phi 15 \sim \phi 30$ >	<FOR BUTTON SIZE $\phi 15 \sim \phi 30$ >	
47	SA9303001	1	钮夹组件 L	BUTTON CLAMP ASSY L	
48	SA9304001	1	钮夹 L-L	BUTTON CLAMP L-L	
49	SA9305001	1	钮夹 R-L	BUTTON CLAMP R-L	
50	SA9306001	1	钮夹L板弹簧 L	BUTTON CLAMP L PLATE SPRING L	
51	SA9307001	1	钮夹R板弹簧 L	BUTTON CLAMP R PLATE SPRING L	
52	SA9308001	1	钮夹调节板	BUTTON CLAMP ADJUSTING PLATE	
			<选购件>	<Option parts>	
39	S52071101	1	钮夹垫 AL	BUTTON CLAMP SPACER AL	
40	S52075101	1	钮夹垫 AR	BUTTON CLAMP SPACER AR	
43	S52073101	1	钮夹垫 CL	BUTTON CLAMP SPACER CL	
44	S52077101	1	钮夹垫 CR	BUTTON CLAMP SPACER CR	
45	S52074101	1	钮夹垫 DL	BUTTON CLAMP SPACER DL	
46	S52078101	1	钮夹垫 DR	BUTTON CLAMP SPACER DR	

F. 下轴装置 / Lower shaft mechanism

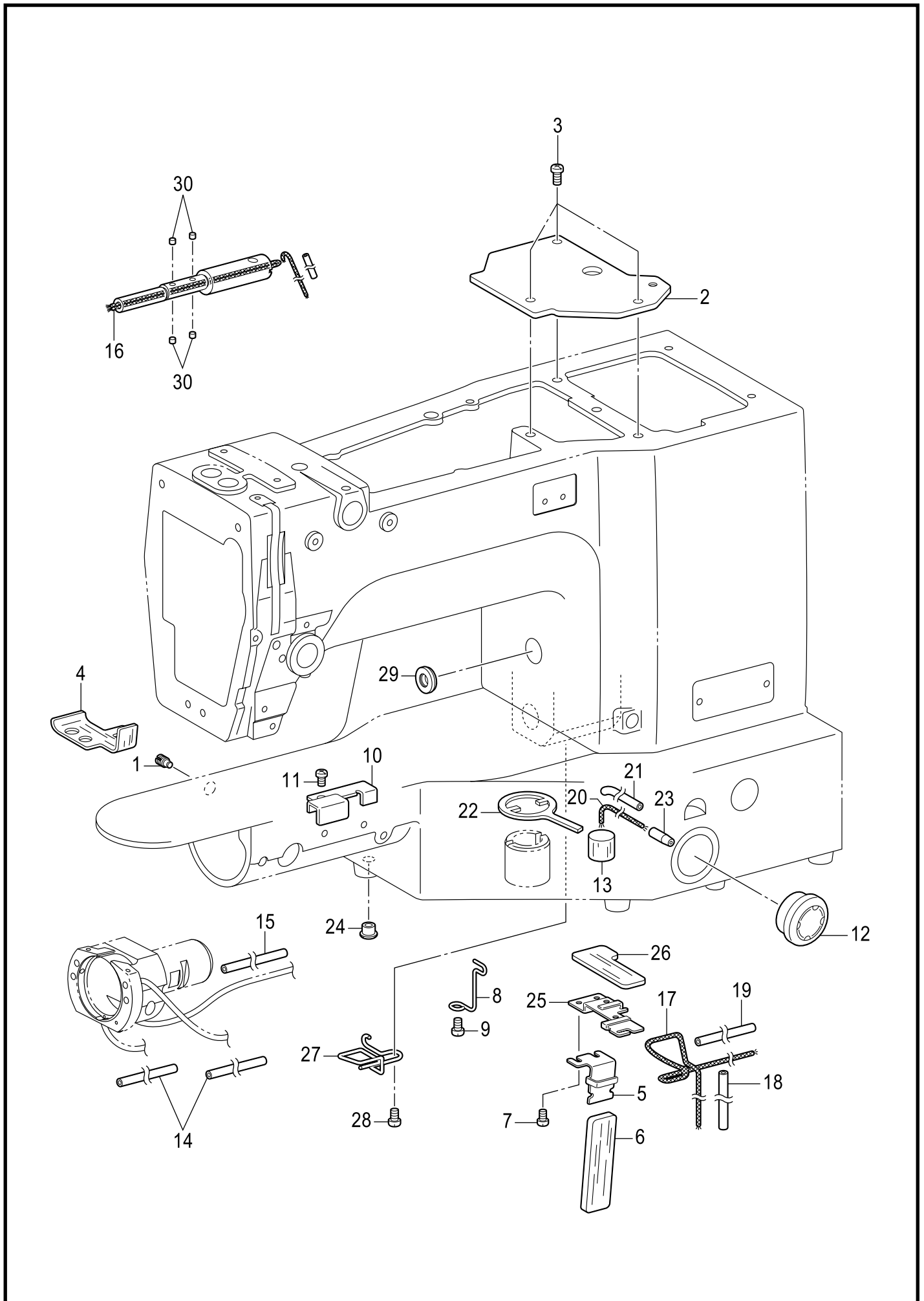




F. 下轴装置 / Lower shaft mechanism

参照号	零部件序号	数量	零部件名称	NAME OF PARTS	RM
1	SA3226001	1	轴位螺钉	SHOULDER SCREW	
2	SA3227001	1	螺母 M6	NUT (FT), M6	
3	SA3228101	1	摆动齿轮	ROCK GEAR	
4	SA4068101	1	摆动齿轮轴 A	ROCK GEAR SHAFT, A	
5	SA3231001	1	紧圈 B	SET SCREW COLLAR, B	
6	012060536	2	螺钉 M6X5	SET SCREW, SOCKET (FT) M6X5	
7	SA3233001	1	紧圈	SET SCREW COLLAR	
8	S23651001	2	固定螺钉 M6X6	SET SCREW, SOCKET (FT) M6X6	
9	012060636	2	螺钉 M6X6	SET SCREW, SOCKET (FT) M6X6	
10	SA3234101	1	下轴组件	LOWER SHAFT ASSY	
11	012500536	1	螺钉 M5X5	SET SCREW, SOCKET (FT) M5X5	
12	012400436	2	螺钉 M4X4	SET SCREW, SOCKET (FT) M4X4	
13	SA3237001	1	下轴轴套	LOWER SHAFT BUSH	
14	SA4187001	4	轴承	NEEDLE BEARING	
14	SA4188001	4	轴承	NEEDLE BEARING	
14	SA4189001	4	轴承	NEEDLE BEARING	
14	SA4190001	4	轴承	NEEDLE BEARING	
15	SA3273001	1	下轴套圈	LOWER SHAFT COLLAR	
16	012060636	1	螺钉 M6X6	SET SCREW, SOCKET (FT) M6X6	
17	SA3238101	2	旋梭调节轴	ADJUSTING STUD	
18	081003670	2	O形圈 PW3	O RING, PW3	
19	SA3239201	1	大旋梭台组件	SHUTTLE RACE BASE ASSY	
20	S02429201	1	旋梭线导向	SHUTTLE RACE THREAD GUIDE	
21	SA4199001	2	螺钉 M3X4	SCREW, M3X4	
22	SA3241001	2	大旋梭固定柄	S-RACE BASE SETTING CLAW	
23	152684101	2	弹簧	COMPRESSION SPRING	
24	026030136	2	平垫圈 S3	WASHER, PLAIN S 3	
25	062300616	2	螺钉 M3X6	SCREW, PAN M3X6	
26	SA9396001	2	油毡	FELT	
27	SA3242001	1	油毡支架	FELT HOLDER	
28	SA9191001	2	固定螺钉M3X5.5	SCREW M3X5.5	
29	SA3274101	1	油毡支架	FELT HOLDER	
30	S47307001	2	螺钉 M3X4	SCREW, M3X4	
31	SA3275001	1	油毡 T	FELT, T	
32	S59886001	3	油毡 L=360	FELT, L=360	
51	SA9397001	2	橡皮塞 5.5	RUBBER CAP 5.5	
33	SA3276001	2	垫圈 A	SPACER, A	
34	SA3277001	2	止动圈	RETAINING RING	
35	012060636	1	螺钉 M6X6	SET SCREW, SOCKET (FT) M6X6	
36	SA3278001	1	轴圈	COLLAR	
37	048070342	1	挡圈 E7	RETAINING RING, E7	
38	SA3284201	1	梭托 D	DRIVER D	
39	018501232	1	螺栓 M5X12	BOLT, SOCKET M5X12	
40	* P. 53	1	大旋梭	SHUTTLE RACE BASE	
41	* P. 53	1	梭芯套组件	BOBBIN CASE ASSY	
42	* P. 53	1	夹线簧	TENSION SPRING	
43	* P. 53	1	螺钉	SCREW	
44	* P. 53	1	防空转弹簧	ANTI-SPIN SPRING	
45	* P. 53	1	梭芯	BOBBIN	
46	SA3283101	1	紧圈 R	SET SCREW COLLAR, R	
47	012500536	1	螺钉 M5X5	SET SCREW, SOCKET (FT) M5X5	
48	* P. 53	1	中旋梭盒组件	SHUTTLE HOOK ASSY, W/BOX	
49	SA6128001	1	大旋梭台复合件	SHUTTLE RACE BASE SET	
50	SA6129001	1	下轴轴套组件	LOWER SHAFT BUSH ASSY	

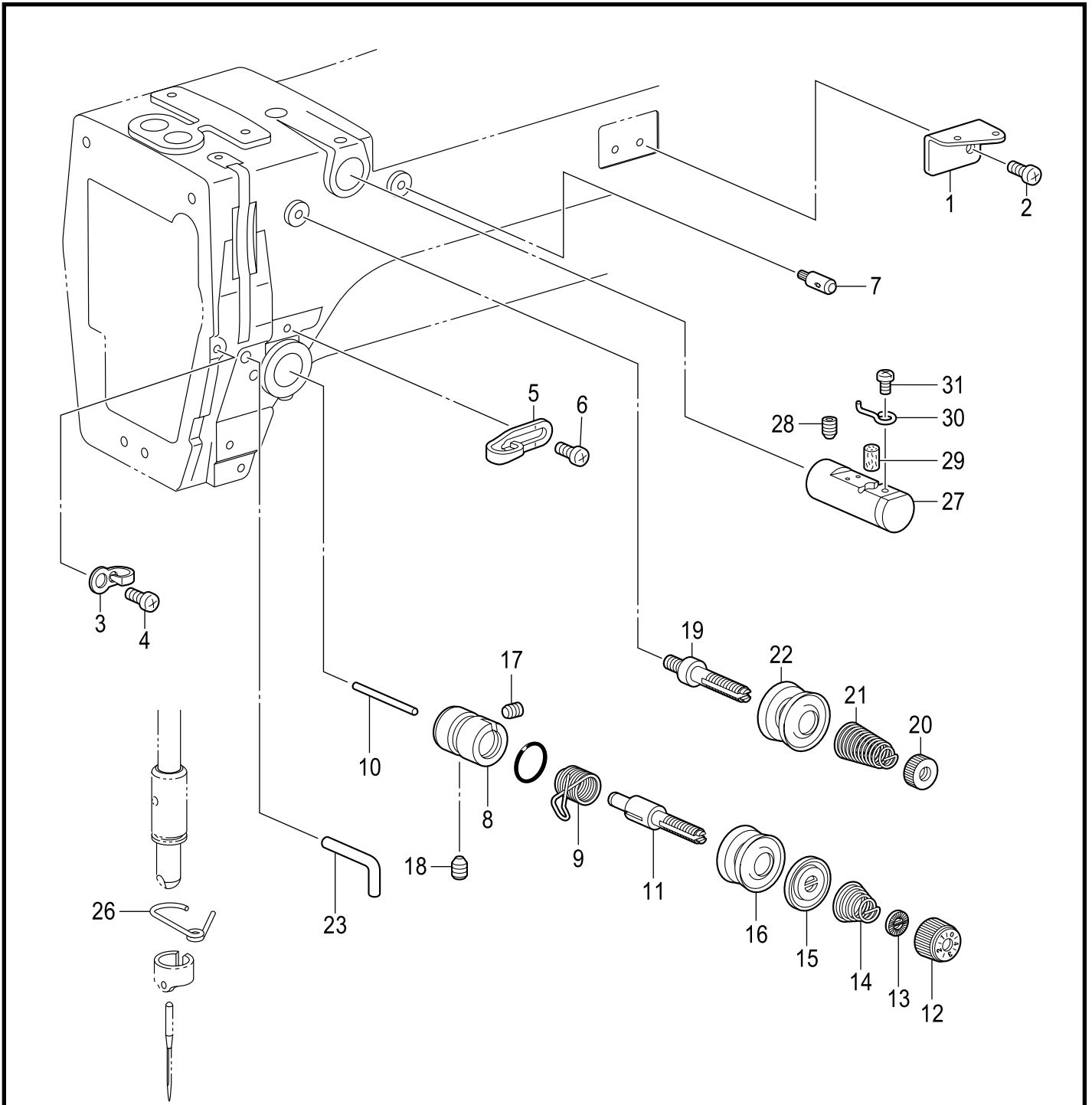
G . 供油润滑装置 / Lubrication



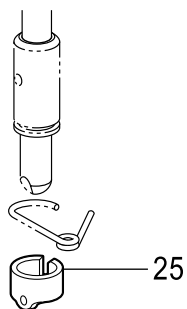
## G. 供油润滑装置 / Lubrication

参照号	零部件序号	数量	零部件名称	NAME OF PARTS	RM
1	SA3244001	1	螺钉	SET SCREW	
2	SA3245001	1	曲柄盖	CRANK COVER	
3	062061016	3	螺钉 M6X10	SCREW, PAN M6X10	
4	SA3279001	1	油毡	FELT	
5	SA3503201	1	下轴给油支架	LOWER SHAFT WICK SUPPORT	
6	SA3504201	1	下轴齿轮油毡	LOWER SHAFT GEAR FELT	
7	062400616	2	螺钉 M4X6	SCREW, PAN M4X6	
8	SA3282001	1	油线夹 A	CORD HOLDER, A	
9	062060816	1	螺钉 M6X8	SCREW, PAN M6X8	
10	SA3249001	1	油管夹	OIL TUBE SUPPORT	
11	062400616	1	螺钉 M4X6	SCREW, PAN M4X6	
12	S49992000	1	油视窗	OIL GAUGE WINDOW	
13	SA3379001	1	油毡	FELT	
14	S50529000	2	油管 L=320	OIL TUBE, L=320	
15	S28415000	1	油管 L=225	OIL TUBE (L=225)	
16	S45849000	1	油线 L=300	WICK, L=300	
17	153922001	1	油线 L=500	WICK, L=500	
18	SA1302001	1	维尼龙管	VINYL TUBE	
19	S56877000	1	油管	OIL TUBE	
20	SA8010001	1	油毡 L=180	FELT L=180	
21	143671000	1	油管	OIL TUBE	
22	SA3287001	1	油毡	X-FEED LEVER FELT	
23	S07333001	1	油管 S	OIL FEEDING PIPE, S	
24	146080000	1	橡皮塞	CORD BUSH	
25	SA3246001	1	齿轮供油支架	GEAR WICK SUPPORT	
26	SA3280001	1	油毡	GEAR FELT	
27	SA4221001	1	线夹	CORD HOLDER, B	
28	062060816	1	螺钉 M6X8	SCREW, PAN M6X8	
29	SA4222001	1	油毡	FELT	
30	153050000	4	油毡	S-RACE BASE FELT	

# H. 穿线装置 / Threading mechanism

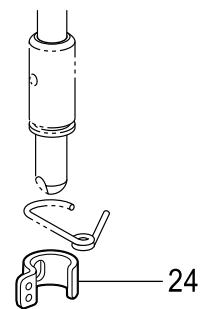


< 用于ST-8430D劳动布 / For ST-8430DDenim >



< 用于ST-8430D普通织物、针织物、女式内衣 / For ST-8430D Ordinary materials, Knitted materials & Foundation garments >

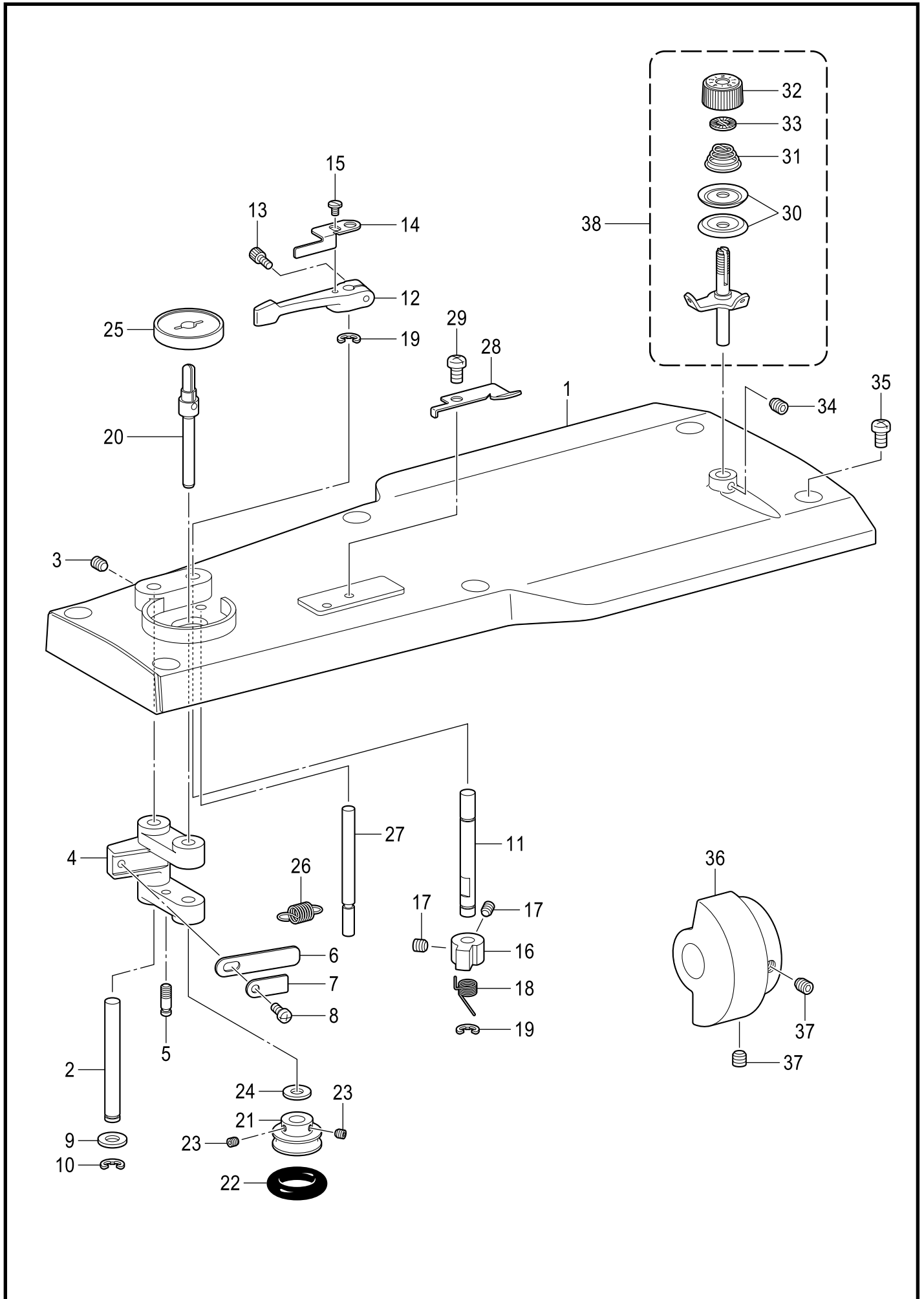
< 用于ST-8438D/ For ST-8438D >



## H. 穿线装置 / Threading mechanism

参照号	零部件序号	数量	零部件名称	NAME OF PARTS	RM
1	SA3250001	1	过线导向 A	ARM THREAD GUIDE, A	
2	062500616	1	螺钉 M5X6	SCREW, PAN M5X6	
3	SA4333001	1	过线导向 B	ARM THREAD GUIDE, B	
4	062500616	1	螺钉 M5X6	SCREW, PAN M5X6	
5	SA3252001	1	过线导向 C	ARM THREAD GUIDE, C	
6	062500616	1	螺钉 M5X6	SCREW, PAN M5X6	
7	153049001	1	面线导向杆	UPPER THREAD GUIDE STUD	
8	SA3254001	1	夹线座	TENSION BRACKET	
9	* P. 53	1	挑线弹簧	THREAD TAKE-UP SPRING	
10	S12699000	1	松线销	TENSION RELEASE PIN	
11	SA3255001	1	夹线杆轴	TENSION STUD	
12	S31032001	1	压线螺母	TENSION NUT	
13	S12441001	1	止动垫圈	WASHER	
14	* P. 53	1	弹簧	TENSION SPRING	
15	159805001	1	夹线压盘	TENSION DISC PRESSER	
16	145446001	2	夹线盘	DISC, TENSION	
17	100402004	1	固定螺钉 SM3.57	SET SCREW, SM3.57	
18	SA4143001	1	螺钉 M6X6	SET SCREW, (FT) M6X6	
19	SA3256001	1	夹线杆轴 A	TENSION STUD, A	
20	100136001	1	夹线螺母	TENSION NUT	
21	SA4146001	1	弹簧	SUB TENSION SPRING	
22	145446001	2	夹线盘	DISC, TENSION	
23	159224001	1	线钩	THREAD GUIDE, ARM	
			<用于ST-8430D 普通织物、 针织物、女式内衣> <用于ST-8438D>	<For ST-8430D Ordinary materials, Knitted materials & Foundation garments> <For ST-8438D>	
24	SA3635101	1	针杆线导向 B	NEEDLE BAR THREAD GUIDE, B	
25	SA3257101	1	<用于ST-8430D劳动布> 针杆线导向 A	<For ST-8430D Denim> NEEDLE BAR THREAD GUIDE, A	
26	SA3258001	1	针杆轴套线导向 D	N-BAR BUSH THREAD GUIDE, D	
27	152881001	1	线冷却器组件	NEEDLE COOLER ASSY	
28	012060636	1	螺钉 M6X6	SET SCREW, SOCKET (FT) M6X6	
29	152883000	1	油毡 8X15.5	FELT, 8X15.5	
30	152884001	1	过线钩	NEEDLE COOLER THREAD GUIDE	
31	062670412	1	螺钉 SM3.57-40X4	SCREW, PAN SM3.57-40X4	

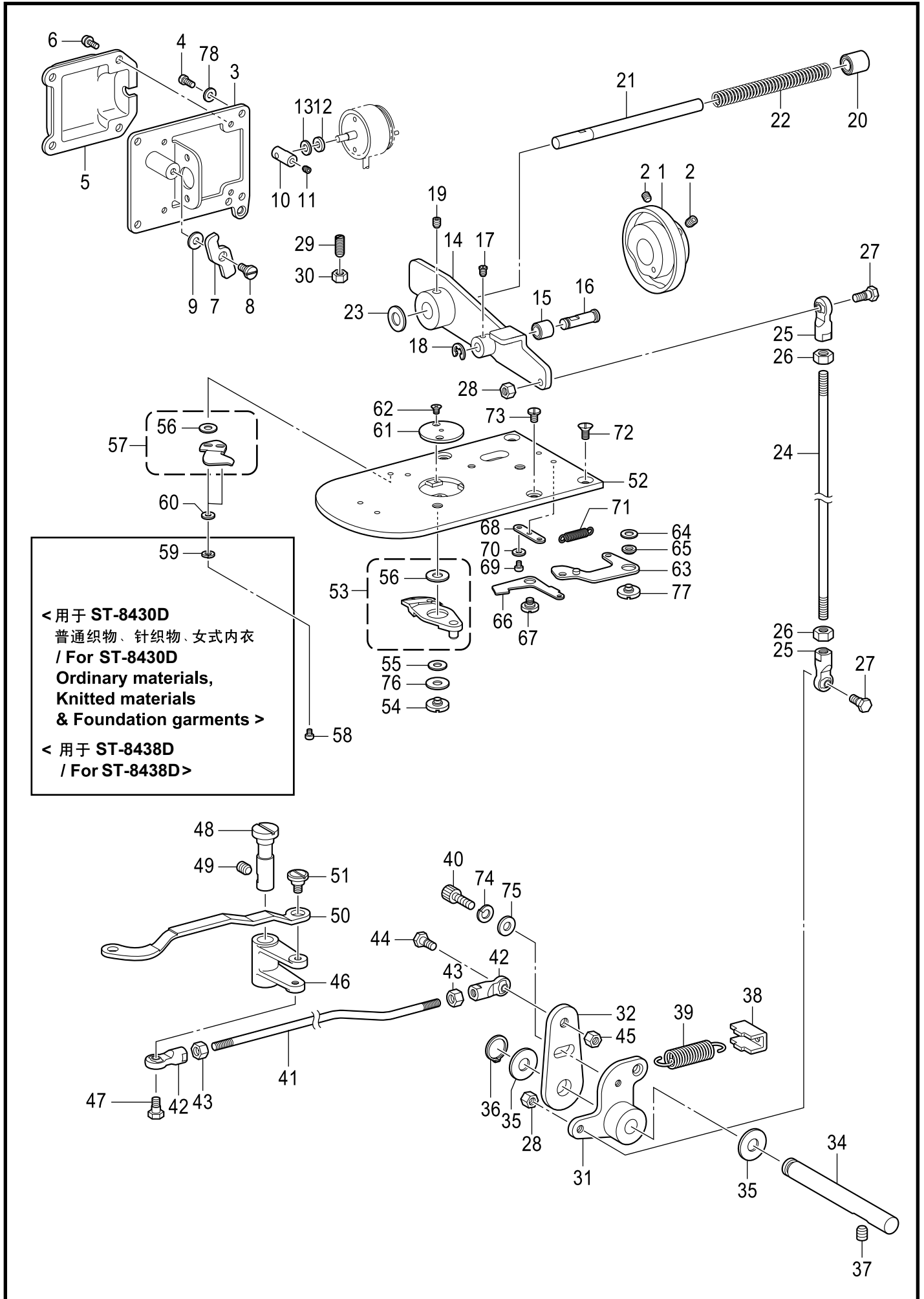
J. 卷线装置 / Bobbin winder mechanism



J. 卷线装置 / Bobbin winder mechanism

参照号	零部件序号	数量	零部件名称	NAME OF PARTS	RM
1	SA3289101	1	上盖	TOP COVER 8430D	
2	SA3290001	1	卷线手柄轴	SHAFT, BW-LEVER	
3	012500536	1	螺钉 M5X5	SET SCREW, SOCKET (FT) M5X5	
4	SA3291001	1	卷线手柄	BOBBIN WINDER LEVER	
5	SA4171001	1	弹簧挂钩	SPRING HOOK	
6	152936001	1	板弹簧	PLATE SPRING	
7	152937001	1	垫圈	WASHER	
8	062350616	1	螺钉 M3.5X6	SCREW, PAN M3.5X6	
9	159486001	1	垫圈	WASHER	
10	048050342	1	挡圈 E5	RETAINING RING, E5	
11	SA3293001	1	卷线卡爪轴	STUD, B-WINDER CLAW	
12	SA1984001	1	梭芯压臂柄	BOBBIN PRESSER ARM	
13	018401236	1	螺栓 M4X12	BOLT SOCKET M4X12	
14	SA3294001	1	梭芯压杆	BOBBIN PRESSER	
15	S23418002	1	螺钉 M4X5	SCREW, M4X5	
16	SA3295001	1	卷线卡爪	CLAW, B-WINDER	
17	012400436	2	螺钉 M4X4	SET SCREW, SOCKET (FT) M4X4	
18	S10438001	1	弹簧	SPRING, TWIST	
19	048050342	2	挡圈 E5	RETAINING RING, E5	
20	SA3296001	1	卷线轴	BOBBIN WINDER SHAFT	
21	SA3297001	1	卷线器	WHEEL, B-WINDER	
22	120448001	1	橡皮圈	BOBBIN WINDER RUBBER BAND	
23	012400436	2	螺钉 M4X4	SET SCREW, SOCKET (FT) M4X4	
24	159486001	2	垫圈	WASHER	
25	SA1988001	1	梭芯座	BOBBIN SUPPORT	
26	S10268001	1	拉簧	SPRING	
27	SA3298001	1	止动轴	STOPPER SHAFT, B-WINDER	
28	SA3299001	1	切刀	KNIFE	
29	062500616	1	螺钉 M5X6	SCREW, PAN M5X6	
30	145446001	2	夹线盘	DISC, TENSION	
31	100401021	1	夹线弹簧	TENSION SPRING	
32	S31032001	1	压线螺母	TENSION NUT	
33	S12441001	1	止动垫圈	WASHER	
34	012500536	1	螺钉 M5X5	SET SCREW, SOCKET (FT) M5X5	
35	062061016	6	螺钉 M6X10	SCREW, PAN M6X10	
36	SA3300001	1	卷线驱动轮	DRIVING WHEEL, B-WINDER	
37	S23651001	2	固定螺钉 M6X6	SET SCREW, SOCKET (FT) M6X6	
38	SA1994101	1	卷线器夹线组件	BOBBIN WINDER TENSION ASSY	

K. 切线装置 / Thread trimmer mechanism

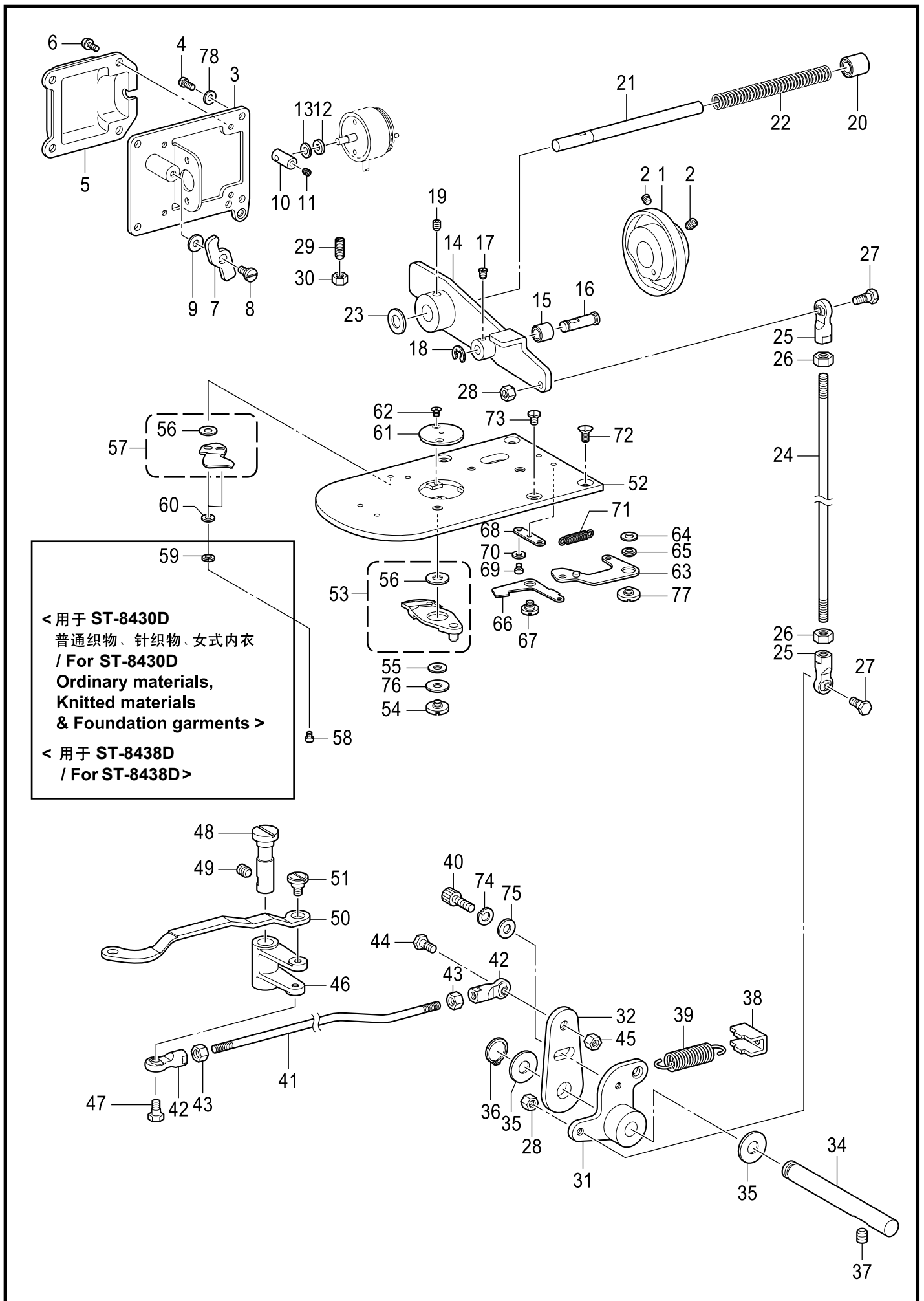




K. 切线装置 / Thread trimmer mechanism

参照号	零部件序号	数量	零部件名称	NAME OF PARTS	RM
1	SA4131001	1	<用于ST-8430D> 切线凸轮	<For ST-8430D> THREAD TRIMMER CAM <For	
1	SA9315001	1	<用于ST-8438D> 切线凸轮 C	<For ST-8438D> THREAD TRIMMER CAM C	
2	S23651001	2	固定螺钉 M6X6	SET SCREW, SOCKET (FT) M6X6	
3	SA3304301	1	电磁铁安装板	SETTING PLATE SOLENOID	
4	062400816	4	螺钉 M4X8	SCREW, PAN M4X8	
78	026040136	4	平垫圈 S4	WASHER PLAIN S 4	
5	SA3303101	1	电磁铁盖	TR-SOLENOID COVER	
6	0A4400806	4	螺栓(带垫圈) M4X8DA	SCREW PAN (S/P WASHER) M4X8	
7	SA3305001	1	驱动杆压杆	PUSHING LEVER, DRIVING LEVER	
8	SA3306001	1	轴位螺钉 7-3	SHOULDER SCREW, 7-3	
9	S39690021	1	垫圈	WASHER	
10	SA3307001	1	电磁铁杆	SOLENOID LEVER	
11	012400436	1	螺钉 M4X4	SET SCREW, SOCKET (FT) M4X4	
12	154599000	1	电磁铁缓冲垫圈	SOLENOID CUSHION	
13	S02652001	1	垫圈	WASHER	
14	SA3309001	1	切线驱动杆	TR-DRIVING LEVER	
15	SA3310001	1	切线滚轮	COLLAR, TR-TRIMMER	
16	SA3311001	1	切线滚轮轴	COLLAR SHAFT	
17	012400436	1	螺钉 M4X4	SET SCREW, SOCKET (FT) M4X4	
18	048040342	1	挡圈 E4	RETAINING RING, E4	
19	S23651001	1	固定螺钉 M6X6	SET SCREW, SOCKET (FT) M6X6	
20	231071001	1	轴套 8X15	BUSH, 8X15	
21	SA3312201	1	驱动杆导向轴	GUIDE SHAFT	
22	SA3313101	1	弹簧	SPRING, COMPRESSION	
23	154596000	1	减震垫圈	CUSHION	
24	SA3315001	1	切线杆 V	THREAD TRIMMER ROD V	
25	S32465101	2	接头组件	BALL JOINT ASSY	
26	021060106	2	螺母 M6	NUT, 1 M6	
27	S32462001	2	轴位螺钉 B M6	SHOULDER SCREW, B; M6	
28	021060306	2	六角螺母 M6	NUT, 3 M6	
29	S25475001	1	螺钉 M6X19	SET SCREW, M6X19	
30	021060106	1	螺母 M6	NUT, 1 M6	
31	SA4546001	1	切线杠杆 V	THREAD TRIMMER LEVER V	
32	SA3317001	1	切线杠杆 H	THREAD TRIMMER LEVER H	
34	SA3319101	1	切线杠杆轴	SHAFT, TR-TRIMMER LEVER	
35	SA4545001	2	垫片	SPACER	
36	048080142	1	轴用挡圈 C8	RETAINING RING EXTERNAL C8	
37	012060636	2	螺钉 M6X6	SET SCREW, SOCKET (FT) M6X6	
38	SA3320101	1	弹簧挂钩	SPRING HOOK	
39	SA3321001	1	切线复位弹簧	SPRING, EXTENSION	
40	018501232	1	螺栓 M5X12	BOLT, SOCKET M5X12	
74	028050246	1	弹簧垫圈 2-5	WASHER SPRING 2-5	
75	146352002	1	垫圈 5	WASHER, PLAIN 5	
41	SA3323001	1	切线杆 H	THREAD TRIMMER ROD H	
42	S32465101	2	接头组件	BALL JOINT ASSY	
43	021060106	2	螺母 M6	NUT, 1 M6	
44	S32462001	1	轴位螺钉 B M6	SHOULDER SCREW, B; M6	
45	021060306	1	六角螺母 M6	NUT, 3 M6	
46	SA3324001	1	动刀曲柄	MOVING KNIFE LEVER	
47	SA3325001	1	轴位螺钉 6.35-6	SHOULDER SCREW, 6.35-6	
48	SA3326001	1	动刀曲柄轴	SHAFT, M-KNIFE LEVER	
49	012060636	1	螺钉 M6X6	SET SCREW, SOCKET (FT) M6X6	
50	SA3327301	1	动刀连杆	M-KNIFE CONNECTING PLATE	
51	SA4354001	1	轴位螺钉 6-1.8	SHOULDER SCREW, 6-1.8	
52	SA3655001	1	针板 SC	NEEDLE PLATE, SC	

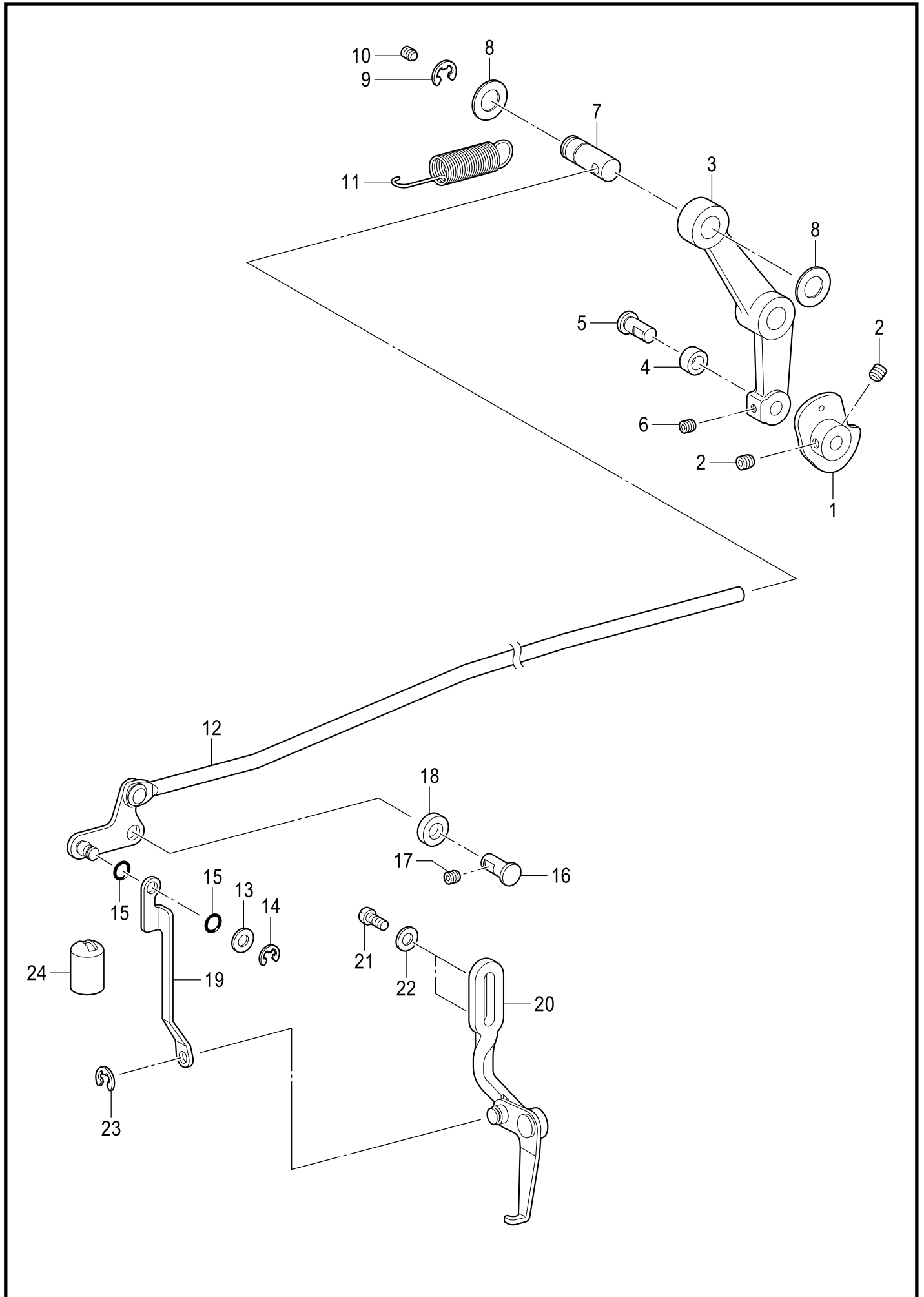
K. 切线装置 / Thread trimmer mechanism



K. 切线装置 / Thread trimmer mechanism

参照号	零部件序号	数量	零部件名称	NAME OF PARTS	RM
			<用于ST-8430D 普通织物、 针织物、女式内衣>	<For ST-8430D Ordinary materials, Knitted materials & Foundation garments>	
53	SA6429001	1	动刀复合件 F-SC	MOVABLE KNIFE SET F-SC	
56	SA6397001	1	垫片 0.2	M-KNIFE SPACER T0.2	
56	SA3334001	1	垫片 0.3	M-KNIFE SPACER T0.3	
56	SA6398001	1	垫片 0.4	M-KNIFE SPACER T0.4	
			<用于ST-8430D 劳动布>	<For ST-8430D Denim>	
53	SA6596001	1	动刀复合件 F	MOVABLE KNIFE SET F	
56	SA6397001	1	垫片 0.2	M-KNIFE SPACER T0.2	
56	SA3334001	1	垫片 0.3	M-KNIFE SPACER T0.3	
56	SA6398001	1	垫片 0.4	M-KNIFE SPACER T0.4	
			<用于ST-8438D>	<For ST-8438D>	
53	SA6432001	1	动刀复合件 F-SCS	MOVABLE KNIFE SET F-SCS	
56	SA6397001	1	垫片 0.2	M-KNIFE SPACER T0.2	
56	SA3334001	1	垫片 0.3	M-KNIFE SPACER T0.3	
56	SA6398001	1	垫片 0.4	M-KNIFE SPACER T0.4	
54	SA4518001	1	轴位螺钉	MOVABLE KNIFE SHOULDER SCREW	
76	SA4519001	1	轴向垫圈	THRUST WASHER	
55	S00705001	1	动刀圈套	MOVABLE KNIFE COLLAR	
			<用于ST-8430D 普通织物、 针织物、女式内衣>	<For ST-8430D Ordinary materials, Knitted materials & Foundation garments>	
			<用于ST-8438D>	<For ST-8438D>	
57	SA6431001	1	定刀复合件 F-SC	FIXED KNIFE SET F-SC	
56	SA6397001	1	垫片 0.2	M-KNIFE SPACER T0.2	
56	SA3334001	1	垫片 0.3	M-KNIFE SPACER T0.3	
56	SA6398001	1	垫片 0.4	M-KNIFE SPACER T0.4	
			<用于ST-8430D 劳动布>	<For ST-8430D Denim>	
57	SA6597001	1	定刀复合件 F	FIXED KNIFE SET F	
56	SA6397001	1	垫片 0.2	M-KNIFE SPACER T0.2	
56	SA3334001	1	垫片 0.3	M-KNIFE SPACER T0.3	
56	SA6398001	1	垫片 0.4	M-KNIFE SPACER T0.4	
58	062300416	2	螺钉 M3X4	SCREW, PAN M3X4	
			<用于ST-8430D 普通织物、 针织物、女式内衣>	<For ST-8430D Ordinary materials, Knitted materials & Foundation garments>	
			<用于ST-8438D>	<For ST-8438D>	
59	028030246	2	弹簧垫圈 2-3	WASHER, SPRING2-3	
60	025030236	2	平垫圈 M3	WASHER, PLAIN M 3	
61	* P. 53, 57	1	针孔板	NEEDLE HOLE PLATE	
62	100360003	2	螺钉 SM2.38	SCREW	
63	SA3337001	1	夹线组件 D	THREAD NIPPER ASSY D	
64	SA4330001	1	垫片	SPACER, THREAD NIPPER	
65	SA4329001	1	夹线圈套	COLLAR, THREAD NIPPER	
66	SA3341001	1	压线板 U	THREAD NIPPER U	
77	SA3333001	1	轴位螺钉	THREAD NIPPER SHOULDER SCREW	
67	SA3342001	1	轴位螺钉 6-0.9	SHOULDER SCREW, 6-0.9	
68	SA3343001	1	弹簧挂钩板	PLATE, SPRING HOOK	
69	062300416	2	螺钉 M3X4	SCREW, PAN M3X4	
70	025030236	2	平垫圈 M3	WASHER, PLAIN M 3	
71	SA3344001	1	弹簧	SPRING, EXTENSION	
72	S25310101	2	螺钉 M4	SCREW, FLAT M4	
73	SA3538001	2	螺钉 M4X8	SCREW, M4X8	

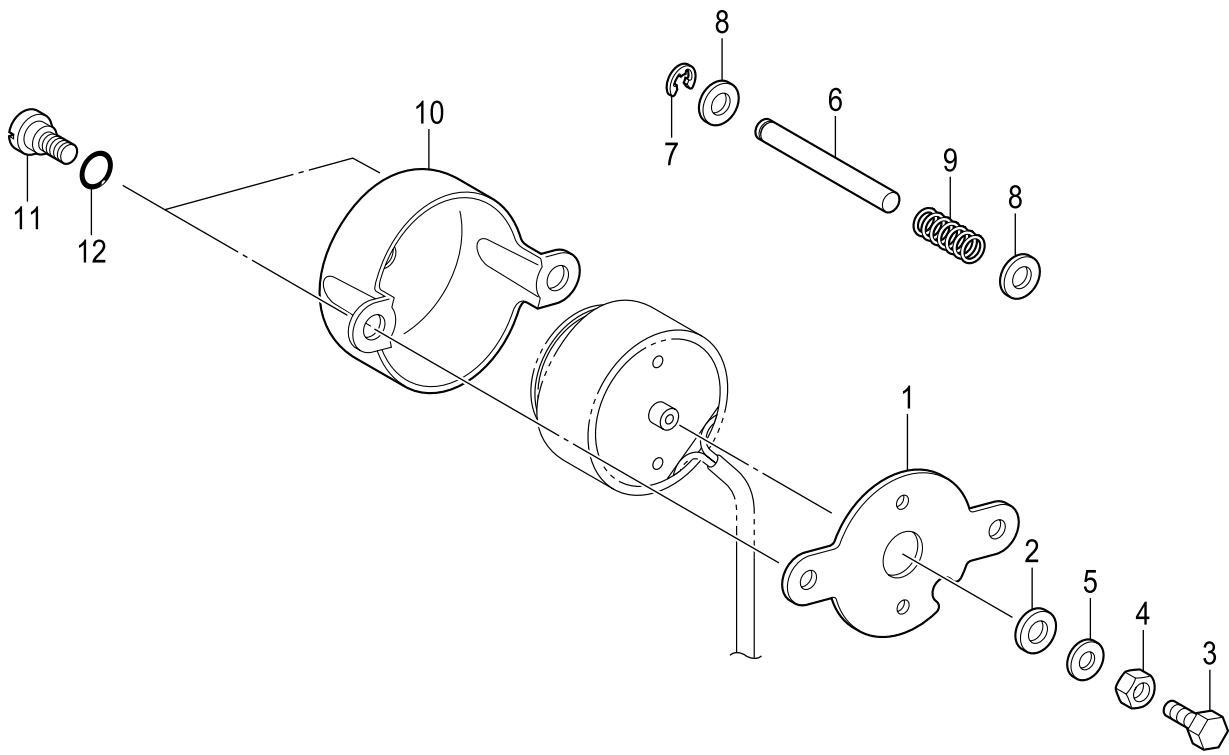
L. 扫线装置 / Thread wiper mechanism



## L. 扫线装置 / Thread wiper mechanism

参照号	零部件序号	数量	零部件名称	NAME OF PARTS	RM
1	SA3447001	1	扫线凸轮	THREAD WIPER CAM	
2	012060636	2	螺钉 M6X6	SET SCREW, SOCKET (FT) M6X6	
3	SA3448001	1	扫线驱动曲柄	DRIVING LEVER,; THREAD WIPER	
4	SA3449001	1	扫线滚轮	THREAD WIPER ROLLER	
5	SA3441001	1	抬压滚轮轴	W-CLAMP LIFTER ROLLER SHAFT	
6	012500536	1	螺钉 M5X5	SET SCREW, SOCKET (FT) M5X5	
7	SA3451001	1	扫线杆轴	THREAD WIPER ROD SHAFT	
8	S20356001	2	平垫圈 10	WASHER, PLAIN 10	
9	048080342	1	挡圈 E8	RETAINING RING, E8	
10	012500536	1	螺钉 M5X5	SET SCREW, SOCKET (FT) M5X5	
11	SA3446001	1	弹簧	SPRING	
12	SA3452001	1	扫线杆组件	THREAD WIPER ROD ASSY	
13	025050134	1	平垫圈 S5	WASHER, PLAIN S 5	
14	048040342	1	挡圈 E4	RETAINING RING, E4	
15	081005070	2	O形圈 P5	O RING, P5	
16	SA3441001	1	抬压滚轮轴	W-CLAMP LIFTER ROLLER SHAFT	
17	012500536	1	螺钉 M5X5	SET SCREW, SOCKET (FT) M5X5	
18	S38033002	1	定位圈 13	COLLAR, 13	
19	SA3458001	1	扫线连接板	CONNECTING PLATE	
20	SA3459101	1	扫线臂组件	THREAD WIPER ARM ASSY	
21	062401006	2	螺钉 M4X10	SCREW, PAN M4X10	
22	025040236	2	平垫圈 M4	WASHER, PLAIN M 4	
23	048040342	1	挡圈 E4	RETAINING RING, E4	
24	SA3464001	1	油塞	OIL CAP	

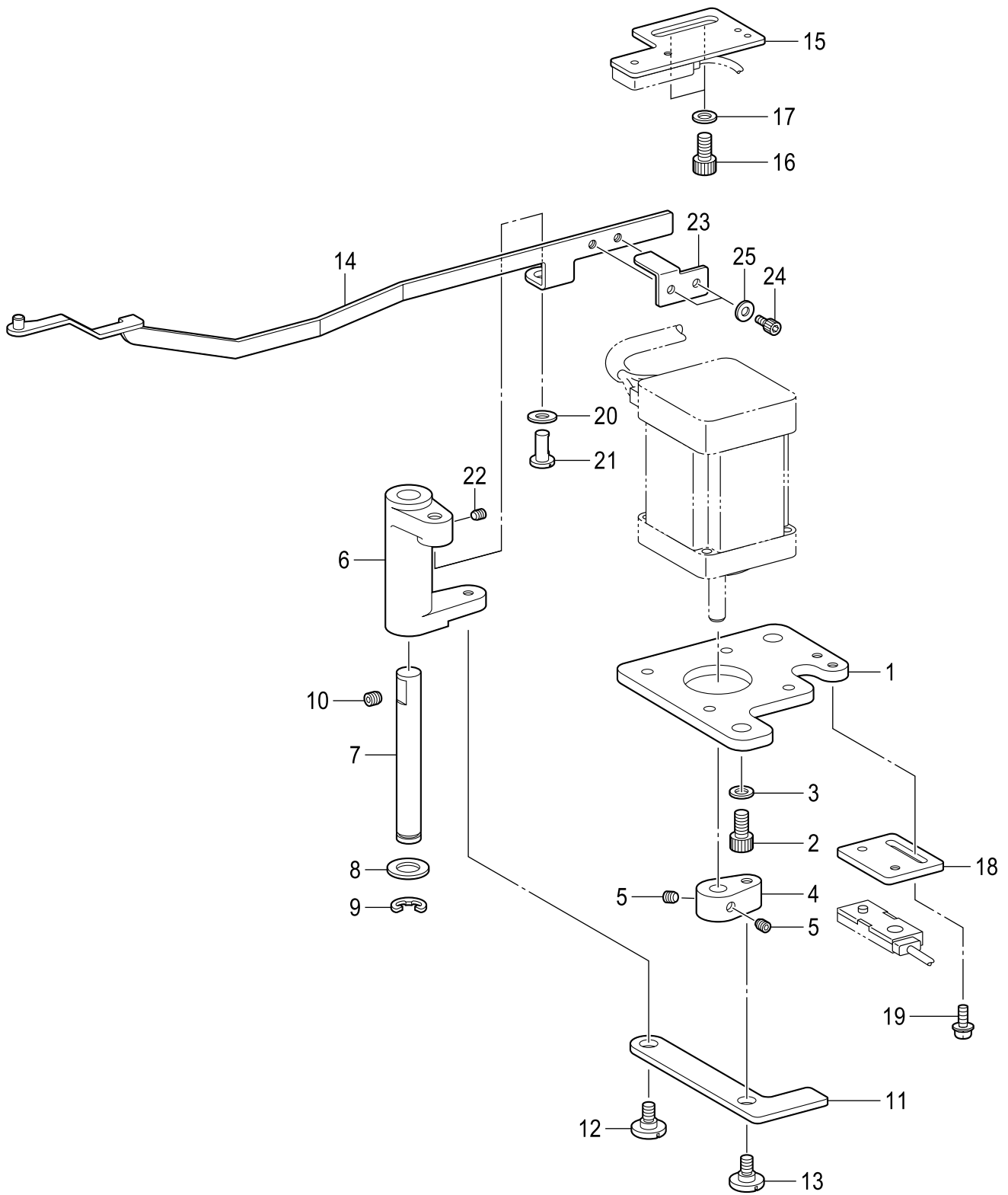
M. 松线装置 / Tension release mechanism



M. 松线装置 / Tension release mechanism

参照号	零部件序号	数量	零部件名称	NAME OF PARTS	RM
1	SA3345001	1	电磁铁安装板	SETTING PLATE, SOLENOID	
2	154599000	1	电磁铁缓冲垫圈	SOLENOID CUSHION	
3	017401015	1	螺栓 M4X10	BOLT, M4X10	
4	021400306	1	六角螺母 M4	NUT, 3 M4	
5	102707002	1	垫圈	WASHER	
6	SA3347001	1	松线杆	TENSION RELEASE BAR	
7	048040342	1	挡圈 E4	RETAINING RING, E4	
8	025050236	2	平垫圈 M5	WASHER, PLAIN M 5	
9	SA3348001	1	弹簧	SPRING, COMPRESSION	
10	SA3349001	1	电磁铁盖	SOLENOID COVER	
11	SA3306001	2	轴位螺钉 7-3	SHOULDER SCREW, 7-3	
12	081007070	2	O形圈 P7	O RING P7	

N . 夹线装置 / Thread nipper mechanism

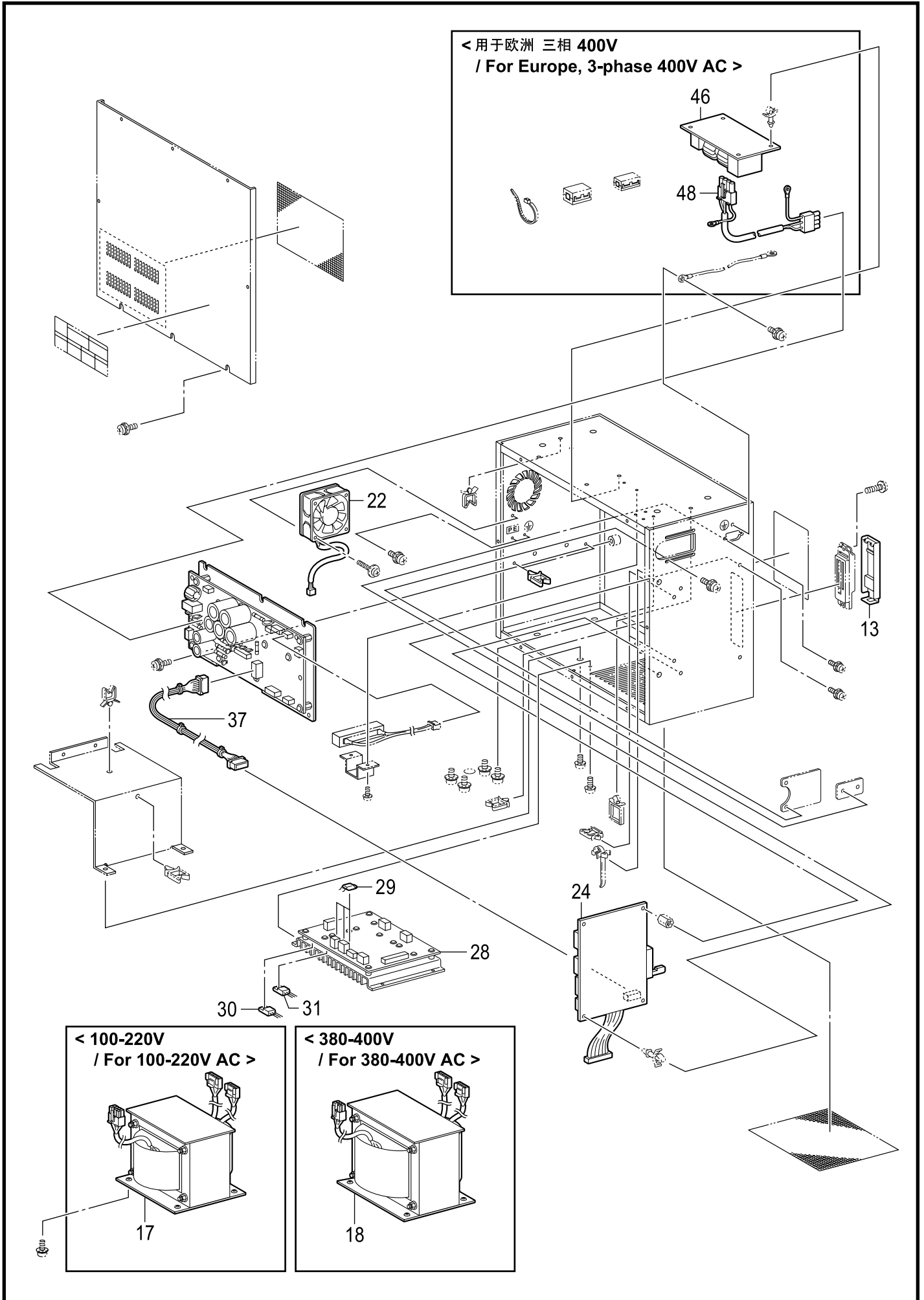




N. 夹线装置 / Thread nipper mechanism

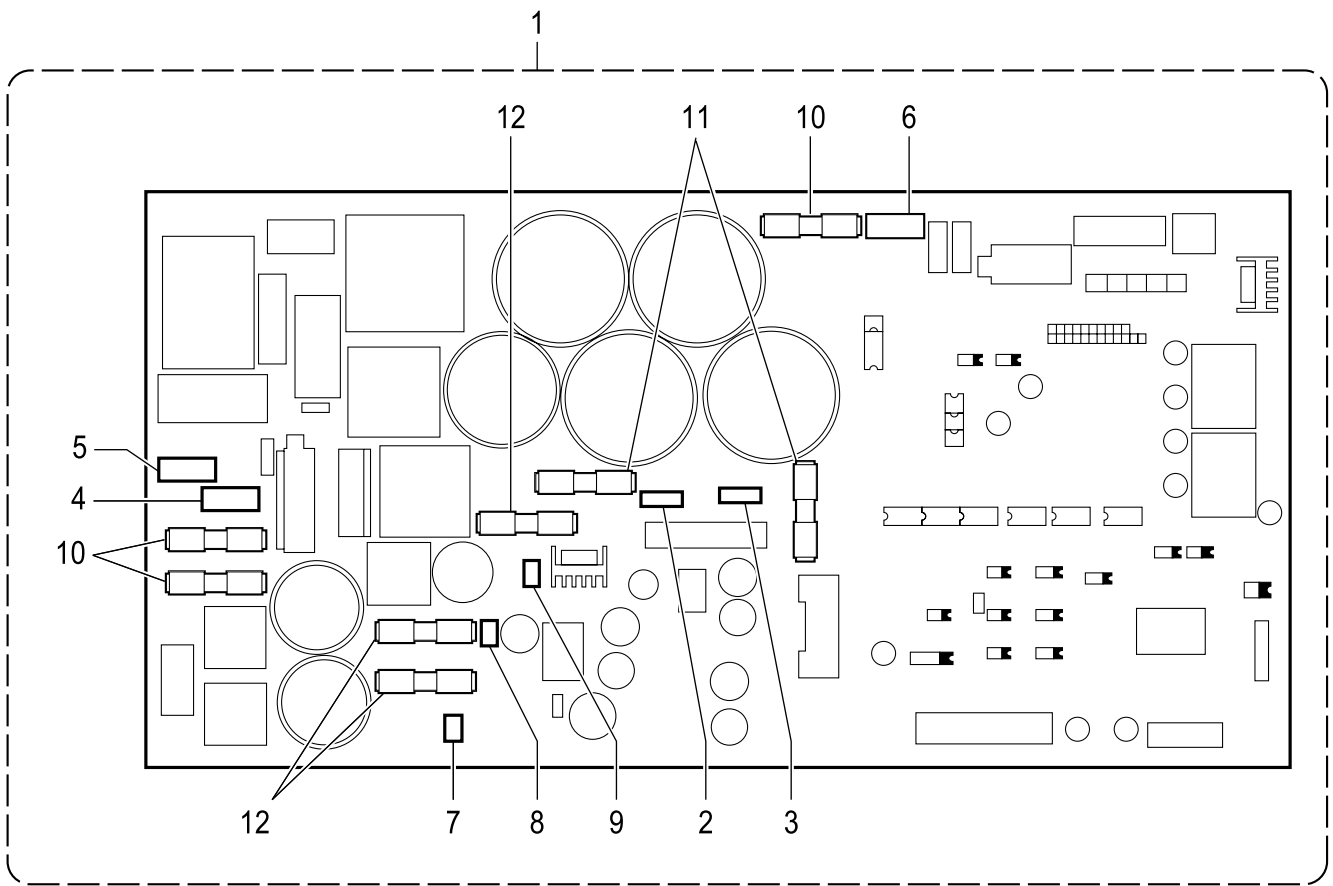
参照号	零部件序号	数量	零部件名称	NAME OF PARTS	RM
1	SA3351001	1	TN马达安装板	SETTING PLATE, TN-MOTOR	
2	018061236	2	螺栓 M6X12	BOLT, SOCKET M6X12	
3	15559001	2	平垫圈	WASHER, PLAIN M 6	
4	SA3352101	1	马达曲柄	TN-MOTOR LEVER	
5	012400436	2	螺钉 M4X4	SET SCREW, SOCKET (FT) M4X4	
6	SA3353201	1	夹线曲柄	TN-LEVER	
7	SA3354001	1	夹线曲柄轴	TN-LEVER SHAFT	
8	153596001	1	垫圈	WASHER	
9	048070342	1	挡圈 E7	RETAINING RING, E7	
10	012060636	1	螺钉 M6X6	SET SCREW, SOCKET (FT) M6X6	
11	SA3355001	1	夹线连接板 B	TN-CONNECTING PLATE B	
12	SA4461001	1	轴位螺钉 6-2.5	SHOULDER SCREW, 6-3.5	
13	SA4354001	1	轴位螺钉 6-1.8	SHOULDER SCREW, 6-1.8	
14	SA3357101	1	夹线连接板组件 F	TN-CONNECTING PLATE ASSY F	
23	SA5137001	1	TN传感器挡块	TN-SENSOR DOG	
24	018300636	2	螺栓 M3X6	BOLT SOCKET M3X6	
25	025030236	2	平垫圈 M3	WASHER PLAIN M 3	
15	SA5138001	1	TN传感器安装板 B	SETTING PLATE B, TN-SENSOR	
16	018061236	2	螺栓 M6X12	BOLT, SOCKET M6X12	
17	15559001	2	平垫圈	WASHER, PLAIN	
18	SA3361001	1	TN传感器安装板 F	SETTING PLATE F, TN-SENSOR	
19	0A4300805	2	螺栓(带垫圈) M3X8DA	SCREW, PAN (S/P WASHER) M3X8	
20	15559001	1	平垫圈	WASHER, PLAIN	
21	S10202201	1	连杆曲柄短轴	LEVER SHAFT	
22	012400436	1	螺钉 M4X4	SET SCREW SOCKET (FT) M4X4	

P1 . 控制箱装置 / Control box mechanism



P1. 控制箱装置 / Control box mechanism

参照号	零部件序号	数量	零部件名称	NAME OF PARTS	RM
13	SA6364001	1	盖组件 CF	CF CAP ASSY	
			<用于100-220V>	<For 100-220V AC>	
17	SA3720101	1	变压器 LV	TRANSFORMER LOW VOLTAGE	
			<用于380-400V>	<For 380-400V AC>	
18	SA3808101	1	变压器 HV	TRANSFORMER HIGH VOLTAGE	
22	SA3797001	1	DC风扇马达组件	DC-FAN MOTOR ASSY	
24	SA3724101	1	主基板组件	PCB ASSY, MAIN	
28	SA3739601	1	基板组件 PMD	PCB ASSY PMD	
29	SA3744001	3	FET FS10ASJ-2	TRANSISTOR, FET: FS10ASJ-2	
30	SA3722001	1	MOSFET FX20KMJ2	TRANSISTOR, FET: FX20KMJ-2	
31	S49484000	1	MOSFETFS10KMJ-2	TRANSISTOR, FET: FS10KMJ-2	
37	SA3806001	1	电线	HARNESS, MAIN POWER SUPPLY	
			<用于欧洲 三相 400V>	<For Europe, 3-phase 400V AC>	
46	SA3581001	1	基板组件	PCB ASSY, NF	
48	SA3796001	1	电线 NF OUT	HARNESS, NF OUT	

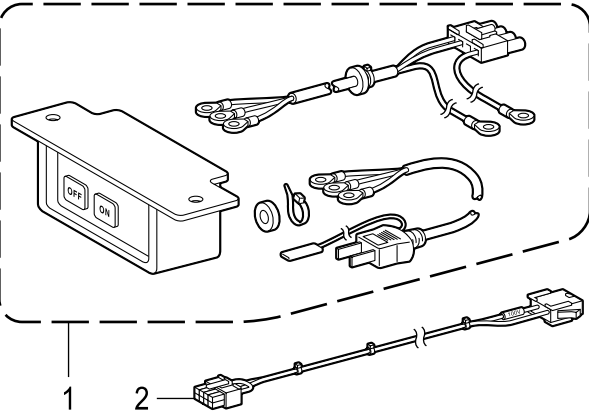


P2. 控制箱装置(电源基板) / Control box (PCB) mechanism

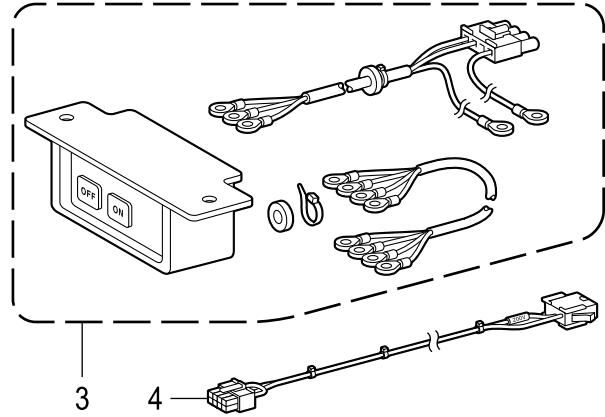
参照号	零部件序号	数量	零部件名称	NAME OF PARTS	RM
1	SA3755301	1	电源马达基板组件	PCB ASSY, POWER SUPPLY MOTOR	
2	SA3765001	1	电阻 V10D101	VARISTOR: V10D101	
3	SA3766001	1	电阻 V10D241	VARISTOR: V10D241	
4	SA3767001	1	电阻 V14D511	VARISTOR: V14D511	
5	SA3762001	1	电阻 V14D911	VARISTOR: V14D911	
6	SA3768001	1	电阻 V14D561	VARISTOR: V14D561	
7	SA3769001	1	电阻 V5D121	VARISTOR: V5D121	
8	SA3770001	1	电阻 V5D330	VARISTOR: V5D330	
9	SA3771001	1	电阻 V5D820	VARISTOR: V5D820	
10	SA3794001	3	保险丝 250V-15A	G FUSE S 15A	
11	SA3795001	2	保险丝 250V-6A	G FUSE S 6A	
12	616167001	3	保险丝 250V-3A	G FUSE S 3A	

Q. 开关装置 / Power switch mechanism

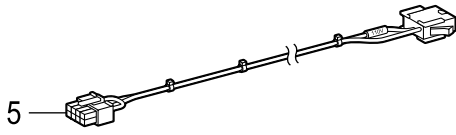
< 用于日本 单相 100V / For Japan, 1-phase 100V AC. >



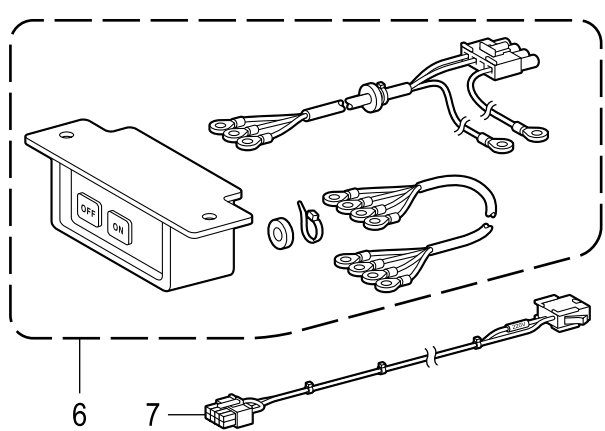
< 用于日本 三相 200V / For Japan, 3-phase 200V AC. >



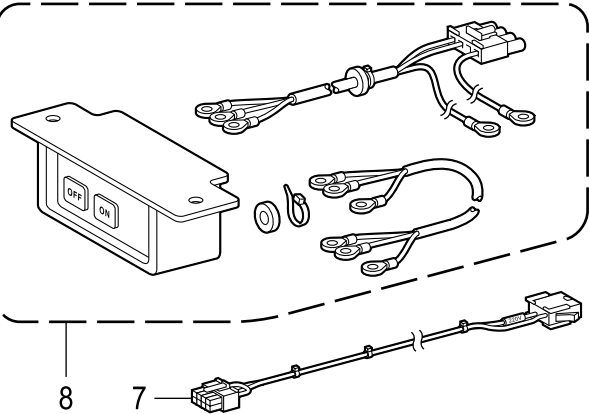
< 用于美国 单相 110V / For USA, 1-phase 110V AC. >



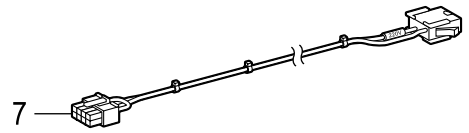
< 用于美国 三相 220V / For USA, 3-phase 220V AC. >



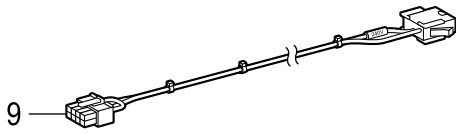
< 用于亚洲 单相 220V / For Asia, 1-phase 220V AC. >



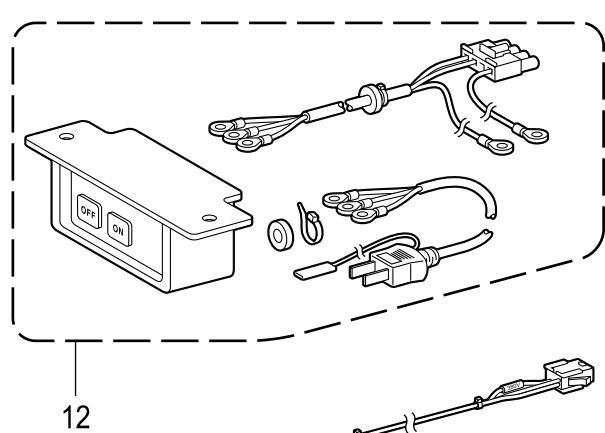
< 用于中国 单相 220V / For China, 1-phase 220V AC. >



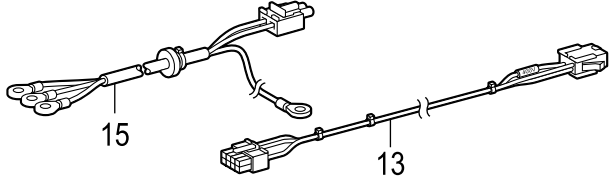
< 用于亚洲 单相 240V / For Asia, 1-phase 240V AC. >



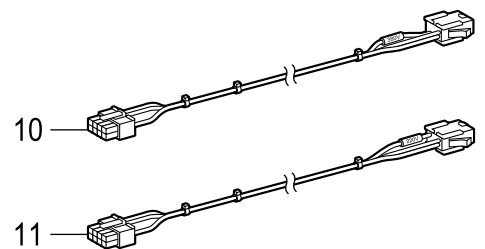
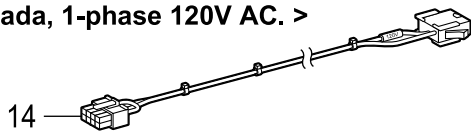
< 用于中国 三相 380V / For China, 3-phase 380V AC. >



< 用于欧洲 三相 400V / For EU, 3-phase 400V AC. >



< 用于加拿大 单相 120V / For Canada, 1-phase 120V AC. >



Q. 开关装置 / Power switch mechanism

参照号	零部件序号	数量	零部件名称	NAME OF PARTS	RM
1	SA3813101	1	<用于日本 单相 100V> 电源开关组件 1P-JP	<For Japan, 1-phase 100V AC.> POWER SUPPLY SWITCH ASSY 1P-JP	
2	SA3822001	1	V切换电线 100V	VOLTAGE SELECT HARNESS 100V	
3	SA3819101	1	<用于日本 三相 200V> 电源开关组件 3P-JP	<For Japan, 3-phase 200V AC.> POWER SUPPLY SWITCH ASSY 3P-JP	
4	SA3825001	1	V切换电线 200V	VOLTAGE SELECT HARNESS 200V	
5	SA3823001	1	<用于美国 单相 110V> V切换电线 110V	<For USA, 1-phase 110V AC.> VOLTAGE SELECT HARNESS 110V	
6	SA3816101	1	<用于美国 三相 220V> 电源开关组件 3P-L	<For USA, 3-phase 220V AC.> POWER SUPPLY SWITCH ASSY 3P-L	
7	SA3812001	1	V切换电线 220V	VOLTAGE SELECT HARNESS 220V	
8	SA3809101	1	<用于亚洲 单相 220V> 电源开关组件 1P	<For Asia, 1-phase 220V AC.> POWER SUPPLY SWITCH ASSY 1P	
7	SA3812001	1	V切换电线 220V	VOLTAGE SELECT HARNESS 220V	
9	SA3826001	1	<用于亚洲 单相 240V> V切换电线 240V	<For Asia, 1-phase 240V AC.> VOLTAGE SELECT HARNESS 240V	
7	SA3812001	1	<用于中国 单相 220V> V切换电线 220V	<For China, 1-phase 220V AC.> VOLTAGE SELECT HARNESS 220V	
12	SA4510101	1	<用于中国 三相 380V> 电源开关组件 3P-H	<For China, 3-phase 380V AC.> POWER SUPPLY SWITCH ASSY, 3P-H	
10	SA3827001	1	V切换电线 380V	VOLTAGE SELECT HARNESS 380V	
11	SA3789101	1	V切换电线 H220V	VOLTAGE SELECT HARNESS H220V	
15	SA3838101	1	<用于欧洲 三相 400V> 电线组件 AC IN EC	<For Europe, 3-phase 400V AC.> HARNESS ASSY AC IN EC	
13	SA3828001	1	V切换电线 400V	VOLTAGE SELECT HARNESS 400V	
14	SA3824001	1	<用于加拿大 单相 120V> V切换电线 120V	<For Canada, 1-phase 120V AC.> VOLTAGE SELECT HARNESS 120V	

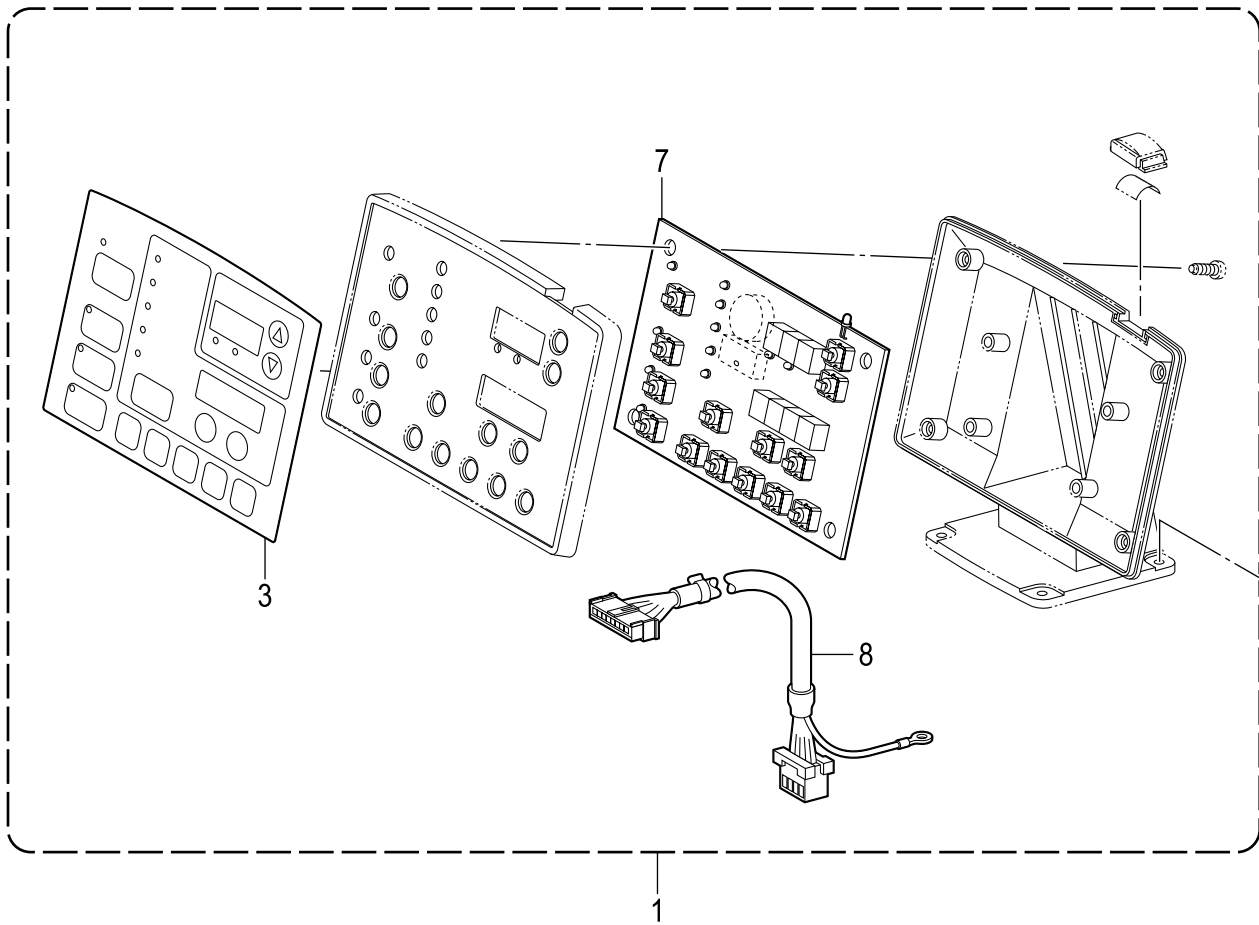




## R.电气部品装置 / Power supply equipment mechanism

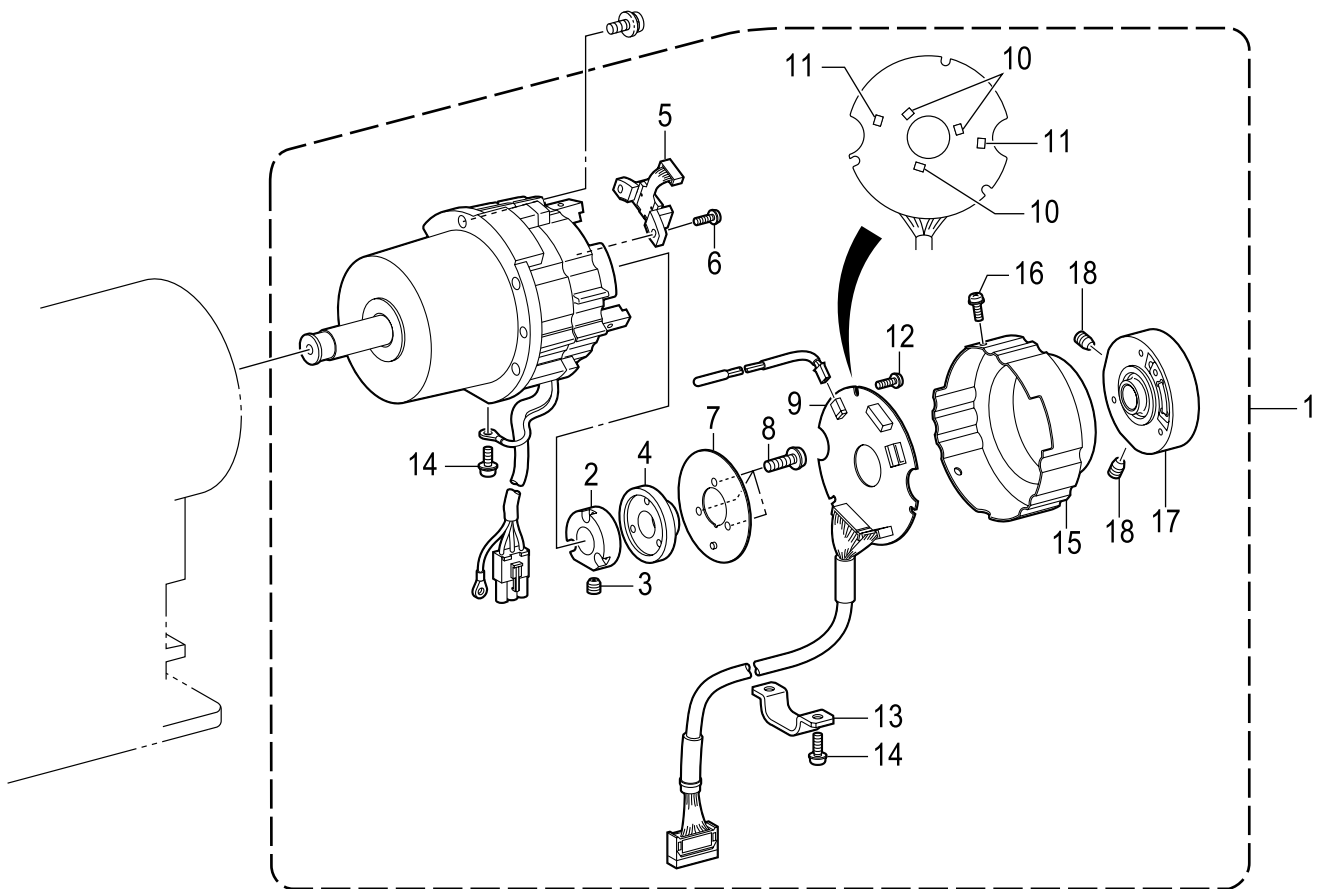
参照号	零部件序号	数量	零部件名称	NAME OF PARTS	RM
1	SA3465201	1	脉冲马达组件 X	PULSE MOTOR ASSY X	
2	018401036	4	螺栓 M4X10	BOLT, SOCKET M4X10	
3	SA3469201	1	脉冲马达组件 Y	PULSE MOTOR ASSY Y	
4	018400836	4	螺栓 M4X8	BOLT, SOCKET M4X8	
5	SA3472201	1	脉冲马达组件 P	PULSE MOTOR ASSY P	
6	018401036	4	螺栓 M4X10	BOLT, SOCKET M4X10	
7	SA4127001	1	夹线组件	PULSE MOTOR ASSY, THREAD CATCH	
8	062300816	4	螺钉 M3X8	SCREW, PAN M3X8	
9	028030246	4	弹簧垫圈 2-3	WASHER, SPRING 2-3	
10	SA3477001	1	夹线原点传感器组件	HOME POSITION SENSOR THREAD-C	
11	062300816	2	螺钉 M3X8	SCREW, PAN M3X8	
12	SA4347001	1	松线电磁铁组件	TENSION RELEASE SOLENOID ASSY	
13	017400802	2	螺栓 M4X8	BOLT, M4X8	
14	028040246	2	弹簧垫圈 2-4	WASHER, SPRING 2-4	
15	025040236	2	平垫圈 M4	WASHER, PLAIN M4	
16	149547000	2	压线板	CORD HOLDER, 4N	
17	0A5401006	2	螺栓(带垫圈) M4X10DB	SCREW, PAN (S/P WASHER) M4X10	
18	SA4348001	1	切线电磁铁组件	THREAD TRIMMER SOLENOID, ASSY	
19	017400802	2	螺栓 M4X8	BOLT, M4X8	
20	028040246	2	弹簧垫圈 2-4	WASHER, SPRING 2-4	
21	025040236	2	平垫圈 M4	WASHER, PLAIN M4	
22	146202000	1	尼龙线夹 6N	CORD HOLDER, 6N	
23	0A5401006	1	螺栓(带垫圈) M4X10DB	SCREW, PAN (S/P WASHER) M4X10	
24	SA3481001	1	机头开关组件	SWITCH ASSY, MACHINE HEAD	
25	0A5301605	2	螺栓(带垫圈) M3X16DB	SCREW, PAN(S/P WASHE) M3X16	
26	SA3523001	1	机头检出器复合件	HEAD DETECTOR UNIT, ASSY	
33	J04392001	1	LED 盖	LED COVER	
27	0A5401006	2	螺栓(带垫圈) M4X10DB	SCREW, PAN (S/P WASHER) M4X10	
28	SA3486001	1	地线 350	GROUND WIRE, 350	
29	0A5401006	2	螺栓(带垫圈) M4X10DB	SCREW, PAN (S/P WASHER) M4X10	
30	S11817000	1	线夹 NK-18N	CLAMP, NK-18N	
31	554482000	1	电线夹 #12	CORD HOLDER, #12	
32	0A5401006	2	螺栓(带垫圈) M4X10DB	SCREW, PAN (S/P WASHER) M4X10	

S . 操作盘装置 / Operation panel mechanism



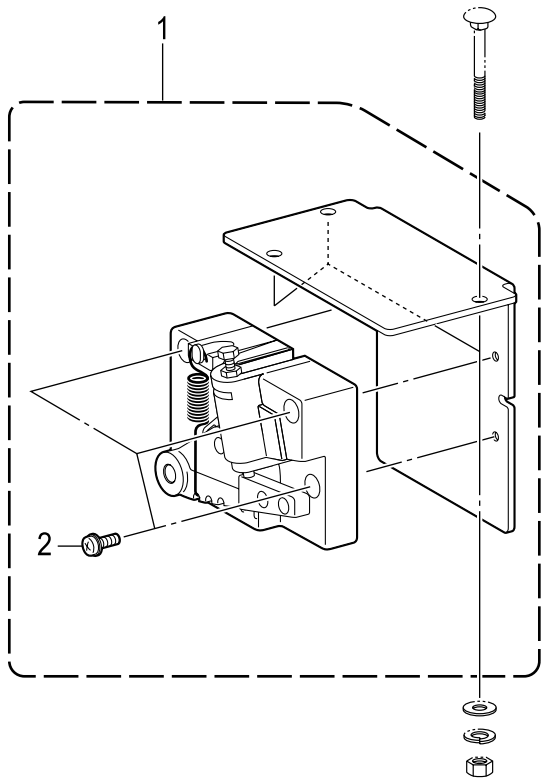
S. 操作盘装置 / Operation panel mechanism

参照号	零部件序号	数量	零部件名称	NAME OF PARTS	RM
1	SA3829101	1	操作盘组件	OPERATION PANEL ASSY	
3	SA3831001	1	操作盘面板	PANEL SHEET	
7	SA3833201	1	操作盘基板组件	PANEL PCB ASSY	
8	SA3839001	1	电线	PANEL HARNESS	
9	0B0452006	4	圆头木螺钉 M4.5X20	WOOD SCREW ROUND M4.5X20	

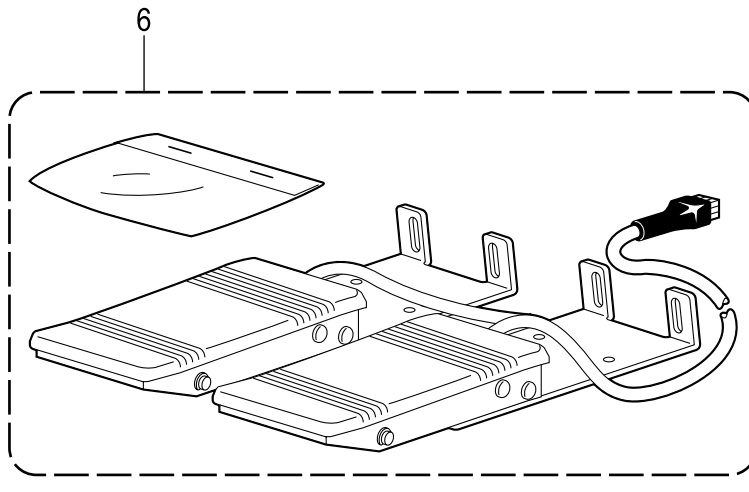
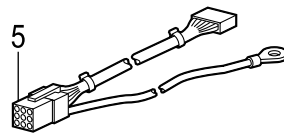
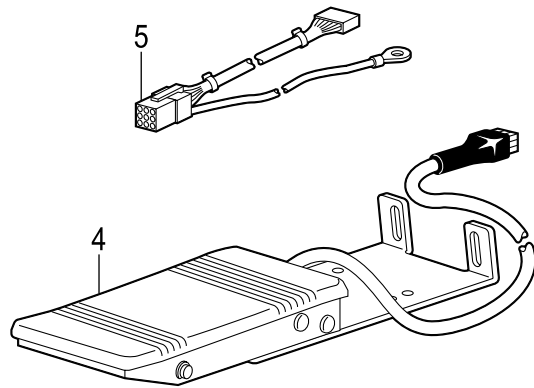


## T. 马达装置 / Motor mechanism

参照号	零部件序号	数量	零部件名称	NAME OF PARTS	RM
1	J80991001	1	马达组件 CDD-8430D	MOTOR ASSY, CDD-8430D	
2	J03955001	1	磁鼓 CDD	DRUM CDD	
3	014400632	1	螺钉 M4X6	SET SCREW, SOCKET (CP) M4X6	
4	J03956001	1	磁铁 180P36	MAGNET 180P36	
5	J03957001	1	MR感应器组件 180P	MR SENSOR ASSY 180P	
6	0A4300805	1	螺栓(带垫圈) M3X8DA	SCREW, PAN (S/P WASHER) M3X8	
7	J03958001	1	屏蔽板 CDD	SHIELD PLATE CDD	
8	0A4261005	3	螺栓(带垫圈) M2.6X10DA	SCREW PAN (S/P WASHER) M2.6X10	
9	J04488001	1	ENC 基板组件 8430D#2	ENC PCB ASSY, 8430D#2	
10	J03983001	3	霍尔元件 ICE W-400	HALL ELEMENT: ICEW-400	
11	J03984001	2	霍尔元件 ICE W-450	HALL ELEMENT: ICEW-450	
12	0A5300606	3	螺栓(带垫圈) M3X6DB	SCREW, PAN (S/P WASHER) M3X6	
13	J04230001	1	电线固定夹 CDD-HT	CORD HOLDER, CDD-HT	
14	0A4401005	3	螺栓(带垫圈) M4X10DA	SCREW PAN (S/P WASHER) M4X10	
15	J04388001	1	编码器盖 8430D	ENCODER COVER, 8430D	
16	0A4300805	3	螺栓(带垫圈) M3X8DA	SCREW, PAN (S/P WASHER) M3X8	
17	J04303001	1	同步轮组件 8430D	PULLEY HOLDER ASSY, 8430D	
18	014500632	2	螺钉 M5X6	SET SCREW, SOCKET (CP) M5X6	



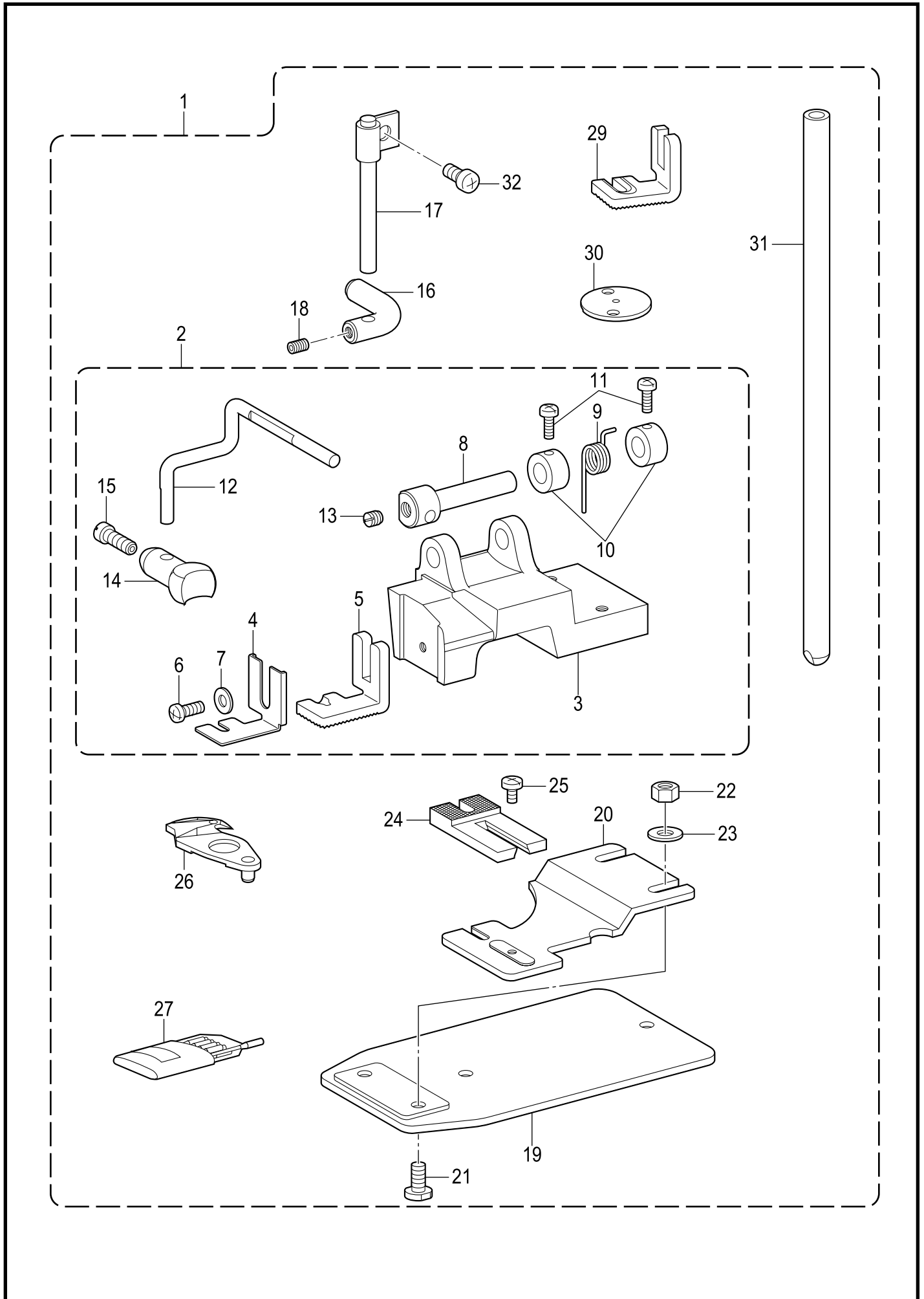
< 选购件 / Option parts >



U. 踏板关系 / Foot switch pedal mechanism

参照号	零部件序号	数量	零部件名称	NAME OF PARTS	RM
1	SA3519201	1	踏板复合件 A	TREADLE UNIT A ASSY	
2	0A4501005	3	螺栓(带垫圈) M5X10DA	SCREW PAN (S/P WASHER) M5X10	
			<b>&lt;选购件&gt;</b>	<b>&lt;Option parts&gt;</b>	
5	SA3784001	1	脚开关变换配线	CONVERSION HARNESS, FOOT SW	
4	S49668101	1	2挡脚开关组件	2-STEP FOOT SWITCH ASSY	
6	S51846101	1	2连3开关复合件	2-PEDAL FOOT SWITCH SET, 3	

V1. 辅助装置(用于 BE-438D的选购零部件) / Auxiliary device (Option parts for BE-438D)

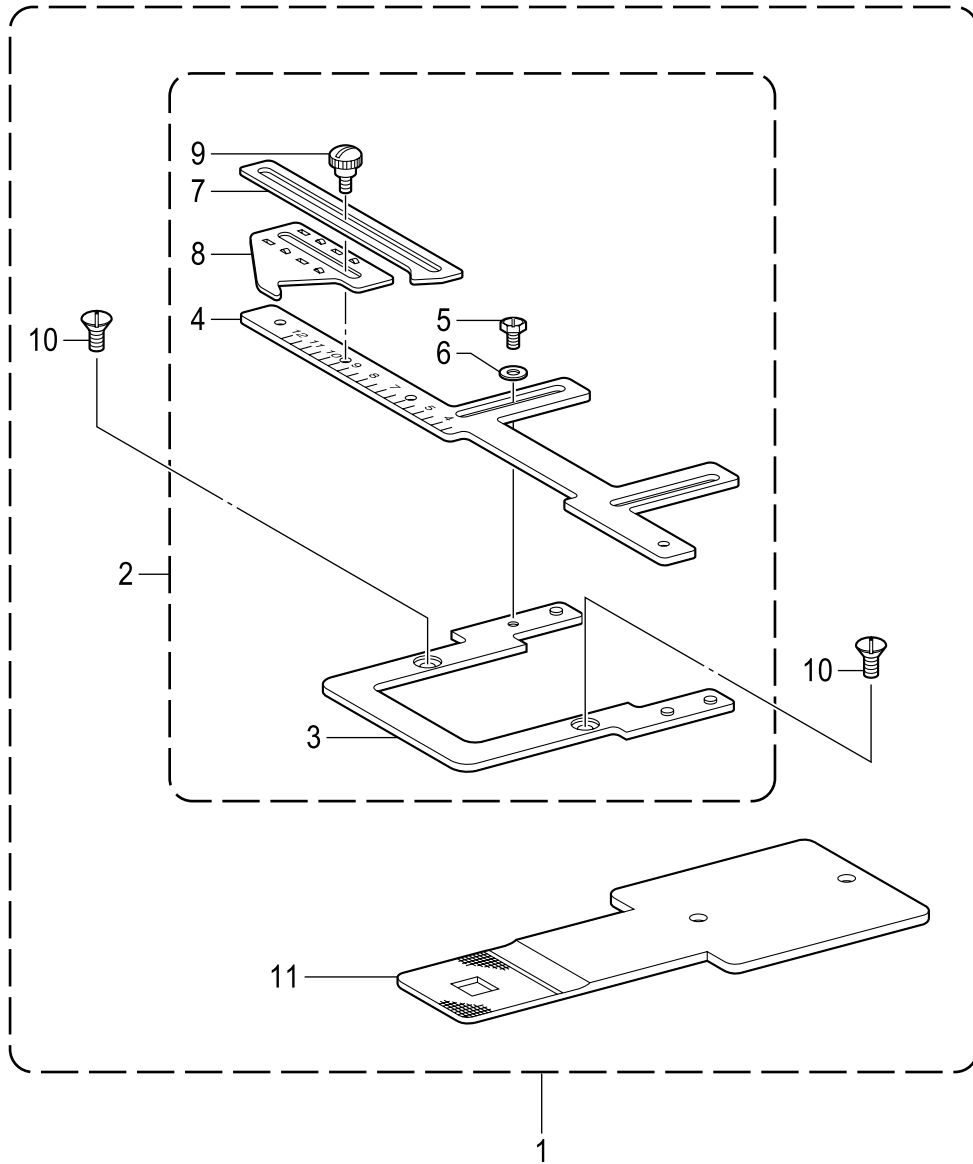




V1. 辅助装置(用于ST-8438D的选购零部件) / Auxiliary device (Option parts for ST-8438D )

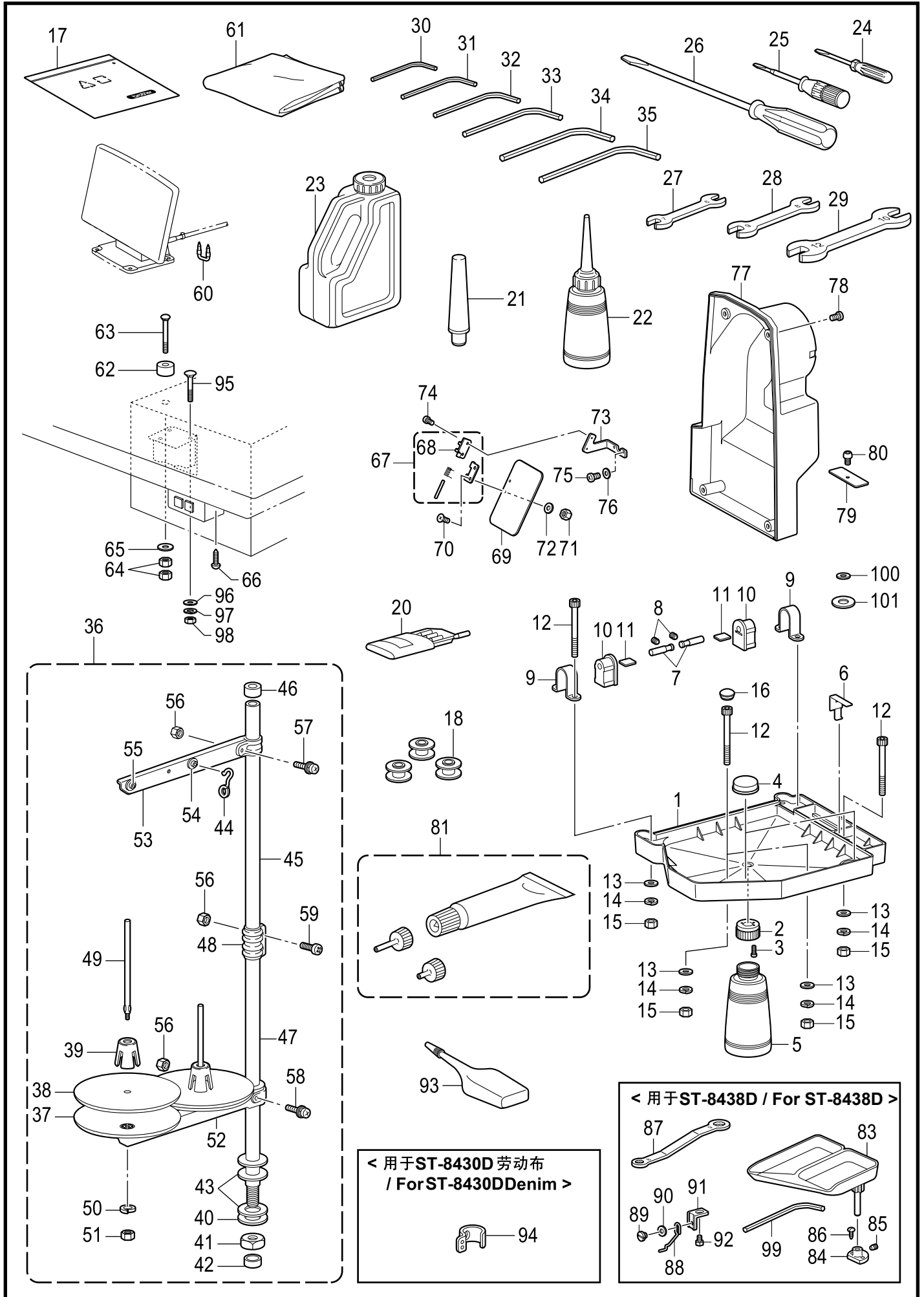
参照号	零部件序号	数量	零部件名称	NAME OF PARTS	RM
1	SA6492101	1	带柄钮扣装置组件 438D	SHANK DEVICE SET 438D	
2	142689409	1	有柄钮扣夹体组件	SHANK BUTTON CLAMP BRAC. ASSY	
3	154684009	1	有柄钮扣夹体	SHANK BUTTON CLAMP BRACKET	
4	142677101	1	钮夹 A	BUTTON CLAMP, A	
5	142678101	1	钮夹 B	BUTTON CLAMP, B	
6	062670812	1	螺钉 SM3.57-40X8	SCREW PAN SM3.57-40X8	
7	102707002	1	垫圈	WASHER	
8	142681001	1	扣夹轴	BUTTON CLAMP STUD	
9	154685001	1	弹簧	SPRING	
10	142706001	2	紧圈	SET SCREW COLLAR	
11	062670712	2	螺钉 SM3.57-40X7	SCREW PAN SM3.57-40X7	
12	154686001	1	扣夹臂	BUTTON CLAMP ARM	
13	013719412	1	固定螺钉 SM4.76	SET SCREW, (CP) SM4.76	
14	142680001	1	扣夹	BUTTON CLAMP	
15	120990001	1	螺钉 SM4.37-40X8	SET SCREW, (CP) SM4.37-40X8	
16	154695001	1	扣夹松开	CLAMP OPENER	
17	154696001	1	扣夹松开轴	STUD	
18	014680432	1	螺钉 SM4.37-40X4	SET SCREW SOCKET SM4.37-40X4	
19	154697001	1	送布板台	FEED PLATE BASE	
20	156336101	1	送扣板	SHANK BUTTON FEED PLATE	
21	154713001	2	螺钉 SM4.76	SCREW, SM4.76	
22	021710212	2	螺母 SM4.76-32	NUT 2 SM4.76-32	
23	025710232	2	平垫圈 M4.76	WASHER PLAIN M SM4.76	
24	142686101	1	放料台 S	CLOTH RECEIVER, S	
25	060670512	1	螺钉 SM3.57-40X5	SCREW BIND SM3.57-40X5	
26	SA6493001	1	动刀组件 F-SCL	MOVABLE KNIFE F-SCL ASSY	
27	SA6505014	1	机针(10支装) SA6506	NEEDLE 10PIECE ASSY SA6506	
29	S03641101	1	钮夹D	BUTTON CLAMP, D	
30	SA3645201	1	针孔板 2.2SC	NEEDLE HOLE PLATE 2.2SC	
31	SA6504001	1	针杆 B	NEEDLE BAR B	
32	062500616	1	螺钉 M5X6	SCREW PAN M5X6	

V2 . 辅助装置(用于ST-8438D的选购零部件) / Auxiliary device (Option parts for ST-8438D)



V2. 辅助装置(用于ST-8438D的选购零部件) / Auxiliary device (Option parts for ST-8438D )

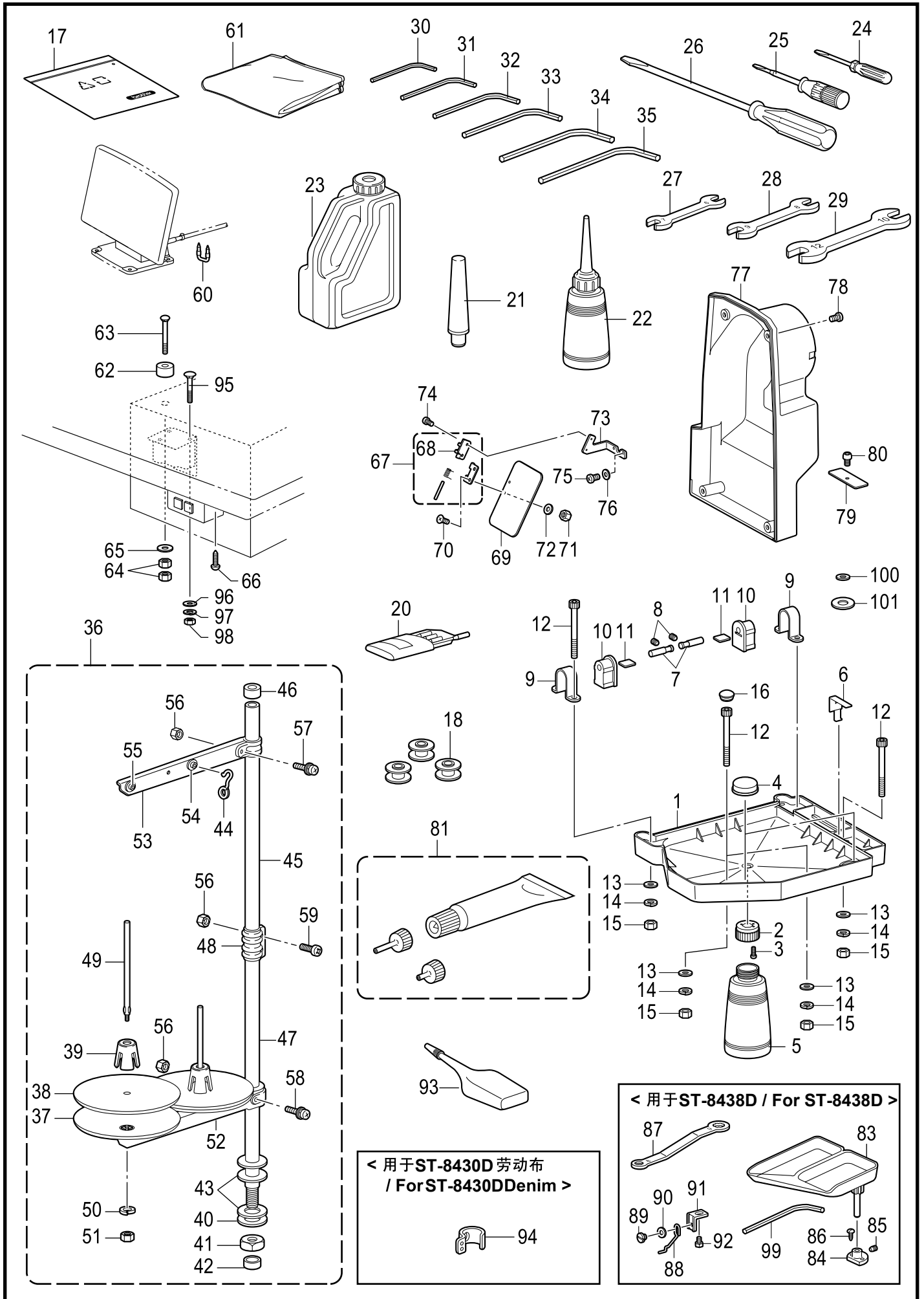
参照号	零部件序号	数量	零部件名称	NAME OF PARTS	RM
1	SA6156001	1	钮扣定位复合件 438D	BUTTON SPACER SET 438D	
2	SA6157001	1	钮扣定位器组件	BUTTON SPACER ASSY	
3	SA6158001	1	基板	BASE	
4	S09658001	1	刻度尺	SCALE	
5	S09686001	1	螺栓 SM4.37-40X7	BOLT, SM4.37-40X7	
6	S02745001	1	垫圈	WASHER	
7	S09659001	1	定位板 A	POSITIONING PLATE, A	
8	S09660001	1	定位板 B	POSITIONING PLATE, B	
9	115166001	1	轴位螺钉 SM4.37	SHOULDER SCREW, SM4.37	
10	S25310101	2	螺钉 M4	SCREW, FLAT M4	
11	S13184001	1	送料板	FEED PLATE	



## Z. 附件 / Accessories

参照号	零部件序号	数量	零部件名称	NAME OF PARTS	RM
1	SA3383001	1	油盘	OIL PAN	
2	154467001	1	废油回收壶盖	DUST OILER	
3	037301215	2	螺销 M3X12	TAPPING SCREW, PAN V M3X12	
4	SA3540001	2	缓冲橡皮垫	RUBBER CUSHION	
5	114486002	1	油壶	OILER	
6	SA3820101	1	弹簧	SPRING HEAD	
7	SA3384001	2	机头支承销	PIN	
8	012060636	2	螺钉 M6X6	SET SCREW, SOCKET (FT) M6X6	
9	SA3385001	2	头部铰链座	HINGE HOLDER	
10	SA3395001	2	橡皮铰链	RUBBER CUSHION	
11	SA3392001	2	垫片	SPACER	
12	SA3387001	7	螺栓 M6X75	BOLT, SOCKET M6X75	
13	025060336	7	平垫圈 L6	WASHER, PLAIN L 6	
14	028060246	7	弹簧垫圈 2-6	WASHER, SPRING 2-6	
15	021060106	7	螺母 M6	NUT, 1 M6	
16	S32264001	2	橡皮塞 11.5	RUBBER CAP, 11.5	
17	122991001	1	附属品塑料袋	ACCESSORY BAG	
18	* P. 53	3	梭芯	BOBBIN	
20	* P. 54	1	机针组(4支装)	NEEDLE 4PIECE ASSY	
21	SA3380001	1	机头撑杆	HEAD REST	
22	114483002	1	油壶组件	OILER ASSY	
23	S55663001	1	油罐组件	OIL TANK ASSY	
24	142443001	1	小起子 1.9X52	SCREW-DRIVER, 1.9X52	
25	118837001	1	起子 3.4X70	SCREW-DRIVER, 3.4X70	
26	101572101	1	起子 5.5X190	SCREW-DRIVER, 5.5X190	
27	107779001	1	扳手 6X7	WRENCH, 6X7	
28	100887001	1	双头扳手 8X9	WRENCH, 8X9	
29	107780001	1	扳手 10X12	WRENCH, 10X12	
30	S07783001	1	内六角扳手 1.5	HEXAGONAL WRENCH, 1.5	
31	142002001	1	内六角扳手 2	HEXAGONAL WRENCH, 2	
32	154125001	1	内六角扳手 2.5	HEXAGONAL WRENCH, 2.5	
33	142721001	1	内六角扳手 3	HEXAGONAL WRENCH, 3	
34	118064001	1	内六角扳手 4	HEXAGONAL WRENCH, 4	
35	150335001	1	内六角扳手 5	HEXAGONAL WRENCH, 5	
36	S02763502	1	线架组件 2DR	COTTON STAND ASSY, 2DR	
37	S51283001	2	垫圈	SPOOL STAND BASE	
38	150182000	2	线盘软垫	SPOOL MAT	
39	S51282101	2	线轴缓冲架	SPOOL CUSHION	
40	150206002	1	平垫圈 16	WASHER, PLAIN 16	
41	S38648001	1	螺母 U5/8-28	NUT, U5/8-28	
42	150174000	1	线架支撑管套	COLUMN CAP	
43	S01005000	2	橡皮垫圈	RUBBER WASHER	
44	S02747101	1	弹簧	SPRING	
45	150172003	1	线架支撑管	COLUMN PIPE	
46	150174000	1	线架支撑管套	COLUMN CAP	
47	156112003	1	线架撑管 D	COLUMN PIPE, D	
48	150173003	1	撑管夹	COLUMN JOINT	
49	150179002	2	线轴 B	SPOOL SHAFT, B	
50	028050246	2	弹簧垫圈 2-5	WASHER, SPRING 2-5	
51	021500106	2	六角螺母 M5	NUT, 1 M5	
52	S02778002	1	插线架 2	SPOOL HOLDER, 2	
53	S02787002	1	过线架 2	THREAD HANGER, 2	
54	150183000	2	过线管套	THREAD HANGER BASE	
55	142990001	2	过线架上过线管	THREAD BUSH	
56	021500106	4	六角螺母 M5	NUT, 1 M5	
57	S37038001	1	螺钉 M5X14	SCREW, PAN(S/P WASHER) M5X14	
58	S37037001	1	螺钉 M5X32	SCREW, PAN (S/P WASHER) M5X32	
59	062501406	2	螺钉 M5X14	SCREW, PAN M5X14	
60	200190001	7	U形卡钉	STAPLE, 10X20	

Z. 附件 / Accessories



Z. 附件 / Accessories

参照号	零部件序号	数量	零部件名称	NAME OF PARTS	RM
61	144226001	1	机头罩	HEAD COVER	
			<b>&lt;用于安装控制箱&gt;</b>	<b>&lt;Setting the control box&gt;</b>	
62	S33006001	4	马达垫片	MOTOR SPACER	
63	133740006	4	螺栓 M6X70	BOLT, SQUARE M6X70	
64	021060106	8	螺母 M6	NUT, 1 M6	
65	025060336	4	平垫圈 L6	WASHER, PLAIN L 6	
			<b>&lt;用于安装电源开关&gt;</b>	<b>&lt;Setting the power switch&gt;</b>	
66	032461606	2	木螺钉 M4.5X16	WOOD SCREW, ROUND 2 M4.5X16	
67	S44483001	1	铰链组件	HINGE ASSY	
68	S44484001	1	护眼板铰链	EYE GUARD HINGE	
69	S44485001	1	护眼板	EYE GUARD	
70	061300816	2	螺钉 M3X8	SCREW, FLAT M3X8	
71	021300106	2	螺母 M3	NUT, 1 M3	
72	026030236	2	垫圈 M3	WASHER, PLAIN M 3	
73	SA4104001	1	护眼板架 A	EYE GUARD HOLDER, A	
74	062300506	2	螺钉 M3X5	SCREW, PAN M3X5	
75	062400616	2	螺钉 M4X6	SCREW, PAN M4X6	
76	026040136	2	平垫圈 S4	WASHER, PLAIN S 4	
77	SA3388001	1	后盖	BACK COVER	
78	062061016	4	螺钉 M6X10	SCREW, PAN M6X10	
79	SA3489001	1	送料板盖	FEED PLATE COVER	
80	153057101	1	螺钉 SM4.37	SCREW, ROUND W/SOCKET SM4.37	
100	148847001	1	垫圈	WASHER, PLAIN	
81	SA8771001	1	润滑脂组件	GREASE UNIT	
93	S06706001	1	硅油	SILICONE OIL	
			<b>&lt;用于ST-8438D&gt;</b>	<b>&lt;For ST-8438D&gt;</b>	
83	S18642009	1	钮扣盘	BUTTON TRAY	
84	153843009	1	钮扣盘底座	BUTTON TRAY HOLDER	
85	014760632	1	螺钉 SM5.95-28X6	SET SCREW, SOCKET SM5.95-28X6	
86	0B1351606	2	木螺钉 M3.5X16	WOOD SCREW, FLAT M3.5X16	
87	105343001	1	扳手 8X9	DOUBLE WRENCH, 8X9	
88	159939001	1	弹簧 A	SPRING, A	
89	110215002	1	螺钉 SM3.57	SCREW SM3.57	
90	025660132	1	平垫圈 S3.18	WASER PLAIN S 3.18	
91	159938001	1	弹簧支架	SPRING SUPPORT	
92	146360002	1	螺栓 SM4.76X7	BOLT, SM4.76X7	
99	154179001	1	内六角扳手 4	HEXAGONAL WRENCH, 4 (Short type)	
			<b>&lt;用于ST-8430D 劳动布&gt;</b>	<b>&lt;For ST-8430D Denim&gt;</b>	
94	SA3635101	1	针杆线导向 B	NEEDLE BAR THREAD GUIDE, B	
			<b>&lt;用于安装踏板复合件&gt;</b>	<b>&lt;Setting the Treadle Unit&gt;</b>	
95	119755001	3	螺栓 M6X60	BOLT, M6X60	
96	025060236	3	平垫圈 M6	WASHER, PLAIN M 6	
97	028060246	3	弹簧垫圈 2-6	WASHER, SPRING 2-6	
98	021060106	3	螺母 M6	NUT, 1 M6	
101	SA6397001	1	垫片 0.2	M-KNIFE SPACER T0.2	
101	SA3334001	1	垫片 0.3	M-KNIFE SPACER T0.3	
101	SA6398001	1	垫片 0.4	M-KNIFE SPACER T0.4	

## Sp. 不同规格零部件一览表 (ST-8430D, ST-8438D) / Different parts list (ST-8430D, ST-8438D)











ST-8430D, ST-8438D还预备了下列零部件, 请在不同领域中使用。

◎表中带有★号的零部件是与ST-8430C (电脑平缝打结机), ST-8438C (电脑平缝钉扣机) 通用的。  
◎表中带有☆号的零部件是与ST-8311F (程序式电脑缝纫机) 通用的。

The following are standard gauge parts according to each specification.

◎In the following table, parts marked with ★ are common with the ST-8430C (Electronic Lockstitch Tacker) & ST-8438C (Electronic Lockstitch Button sewer).

◎In the following table, parts marked with ☆ are common with the ST-8311F (Electronic program Lock Stitcher).


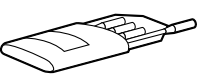
名称 Part name	规格 Spec.	ST-8430D				ST-8438D
		-2	-1	-7	-0F	
(K-61) 针孔板 Needle hole plate 		(φ2.4) SA3336-101 ★	(φ2.2) SA3653-201	(φ1.6) SA3652-201	(φ1.6) 入口处倒角(φ2.6) SA3646-201	(φ1.6) SA6133-001
(F-41) 梭芯套组件 Bobbin case assy 		152690-501 < B > ★	159610-401 < A > ★	159610-401 < A > ★		159610-401 < A > ★
(F-42) 夹线簧 Tension spring 		154340-101 ★	154339-101 < A > ★	154339-101 < A > ★		154339-101 < A > ★
(F-43) 螺钉 Screw 		154341-001 ★	S48664-001 ☆	154341-001 ★		154341-001 ★
(F-44) 防空转弹簧 Anti-spin spring 		SA4315-001 < B > ★	SA4315-001 < A > ★	SA4315-001 < A > ★		SA4315-001 < A > ★
(F-45, Z-18) 梭芯 Bobbin 		159613-051 ★	S15665-001 < LA > ☆	159613-051 ★		159613-051 ★
(F-48) 中旋梭组件 Shuttle hook assy, w/box 		SA1882-001 < B > ★	SA1881-001 < A > ★	SA1881-001 < A > ★		SA1881-001 < A > ★
(F-40) 大旋梭 Shuttle race base 		152686-201 < B > ★	152682-201 < A > ★		152682-201 < A > ★	
(H-14) 调节弹簧 Spring, tension 		107606-101 ★	104525-101 ★		104525-101 ★	
(H-9) 挑线弹簧 Thread take-up spring 		144588-401 < B > ★	SA9058-001 ★		SA9058-001 ★	



Sp .不同规格零部件一览表 (ST-8430D, ST-8438D) / Different parts list (ST-8430D, ST-8438D)

◎表中带有★号的零部件是与ST-8430C (电脑平缝打结机), ST-8438C (电脑平缝钉扣机) 通用的。

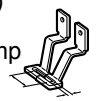
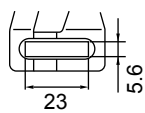
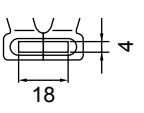
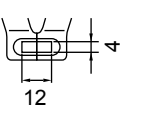
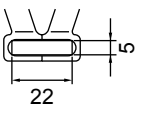

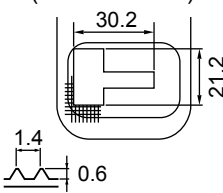
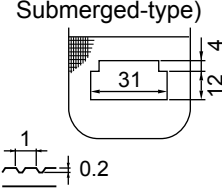
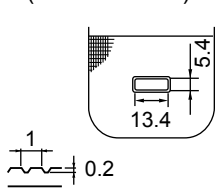
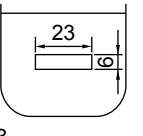
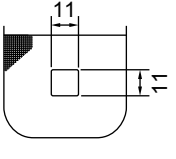

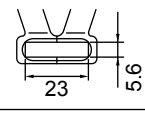

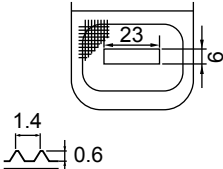
◎In the following table, parts marked with ★ are common with the ST-8430C (Electronic Lockstitch Tacker) & ST-8438C (Electronic Lockstitch Button sewer).

名称 Part name	ST-8430D				ST-8438D
	规格 Spec.	-2	-1	-7	-0F
(H-25, H-24) 针杆线导向 Needle bar thread guide 		SA3257-101		SA3635-101	SA3635-101
(Z-20) 机针组 (4支装) Needle assy 		★ SA1579-019 DP X 17 NY <# 19 >	★ SA1752-014 DP X 5 <# 14 >	★ SA1752-009 DP X 5 <# 9 >	SA1737-011 DP X 5KN <# 11 > SA1579-012 DP X 17NY <# 12 >

◎标准的压脚和送料板的尺寸表示如下。(实际的缝纫范围是在内框向内1.5mm的内侧处)

◎Standard sizes for work clamps and feed plates are as follows:

(The actual sewing area has 1.5 mm margin on every size; inside the lines which the dimensions indicate.)

规格 / Spec.	ST-8430D				ST-8438D
	-2	-1	-7	-0F	
R L	153608-101 ★ 154527-001 ★	152777-001 ★ 152778-001 ★	S49695-001 ★ S49694-001 ★	SA6509-001 SA6510-001	
(C-68, 69) 压脚 Work clamp 					
(C-28) 送料板 Feed plate 	SA3378-001 (用于3mm) (For 3 mm use) 	SA3607-001 (用于2mm 下沉式) (For 2 mm use, Submerged-type) 	SA3609-001 (用于2mm) (For 2 mm use) 	SA6511-201 	SA3606-001 
规格 / Spec.	-2				
R L	152781-001 ★ 152782-001 ★				
(C-68, 69) 压脚 Work clamp 					
(C-28) 送料板 Feed plate 	SA3611-001 (用于3mm) (For 3 mm use) 				

## Ga . 工模具一览表 (ST-8430D) / Gauge parts list (ST-8430D)

<工模具零部件>

选购的工模具零部件有下列所示。

压脚和送料板是上下配套的。

(压脚是与 ST-8430C 通用的)

< Gauge parts >

The following are provided as optional gauge parts.

Each work clamp pair and presser pair are used in combination with the feed plate directly below them.

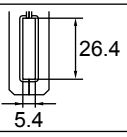
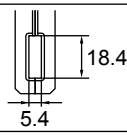
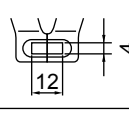
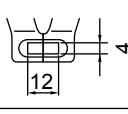
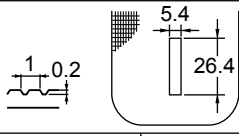
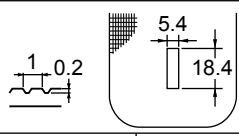
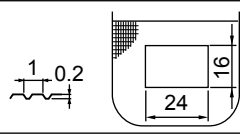
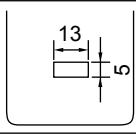
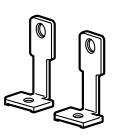
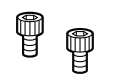
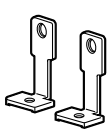
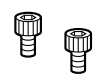
(Work clamp is common with to the ST-8430C.)

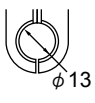
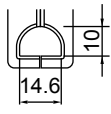
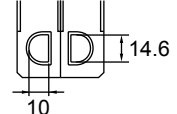
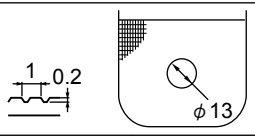
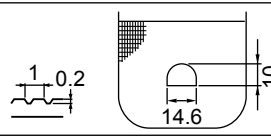
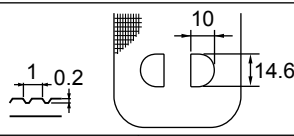

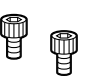

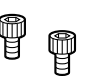
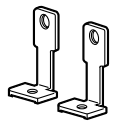
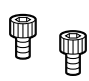
	1	2	3	4
R	152781-001 (劳动布 / For denim)	153201-001 < PL >	153203-001 < PS >	S00906-001 (1 inch)
L	152782-001 (劳动布 / For denim)	153202-001 < PL >	153204-001 < PS >	S00907-001 (1 inch)
(C-68, 69) 压脚 Work clamp				
(C-28) 送料板 Feed plate	SA3611-001 (劳动布 / For denim) 	SA3612-001 < PL > 	SA3613-001 < PS > 	SA3614-001 (1 inch) 

	5	6	7	8
R	S33747-001 (30mm)	153201-001 (劳动布 / For denim)	152777-001 < PM >	152779-001 (针织品 / For knitted materials)
L	S33748-001 (30 mm)	153202-001 (劳动布 / For denim)	152778-001 < PM >	152780-001 (针织品 / For knitted materials)
(C-68, 69) 压脚 Work clamp				
(C-28) 送料板 Feed plate	SA3615-001 (30 mm) 	SA3616-001 (劳动布 / For denim) 	SA3612-001 (PL) 	SA3608-001 (针织品 / For knitted materials) 

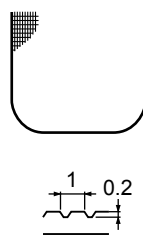
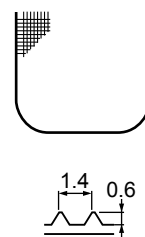
	9	10	11	12
R	S46771-001 (横线结 / For straight bar tacking)	S46771-001 (横线结 · 下沉 / For straight bar tacking/submerged)	S46774-001 (竖线结 / For vertical bar tacking)	S46774-001 (竖线结 · 下沉 / For vertical bar tacking/submerged)
L	S46770-001 (横线结 / For straight bar tacking)	S46770-001 (横线结 · 下沉 / For straight bar tacking/submerged)	S46773-001 (竖线结 / For vertical bar tacking)	S46773-001 (竖线结 · 下沉 / For vertical bar tacking/submerged)
(C-68, 69) 压脚 Work clamp				
(C-28) 送料板 Feed plate	SA3617-001 (横线结 / For straight bar tacking) 	SA3618-001 (横线结 · 下沉 / For straight bar tacking/submerged) 	SA3619-001 (竖线结 / For vertical bar tacking) 	SA3621-001 (竖线结 · 下沉 / For vertical bar tacking/submerged) 
压脚 Work clamp	156006-001	S59892-001	156006-001	S59892-001
螺栓 Bolt				

Ga . 工模具一览表 (ST-8430D) / Gauge parts list (ST-8430D)

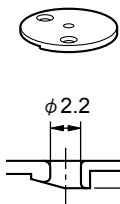
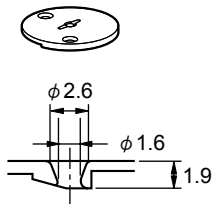
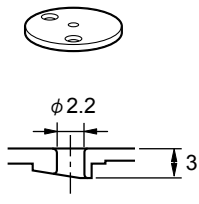
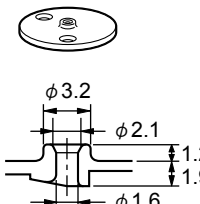
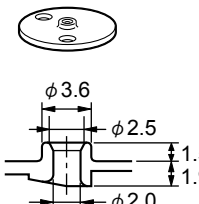
	13		14		15		16	
R	SA2230-001 (竖线结 / For vertical bar tacking)		SA2233-001 (竖线结 / For vertical bar tacking)		152779-001 (下沉式 S / Submerged -type,S)		152779-001	
L	SA2229-001 (竖线结 / For vertical bar tacking)		SA2232-001 (竖线结 / For vertical bar tacking)		152780-001 (下沉式 S / Submerged -type,S)		152780-001	
(C-68, 69) 压脚 Work clamp								
(C-28) 送料板 Feed plate	SA3620-001 (竖线结 / For vertical bar tacking)		SA3622-001 (竖线结 / For vertical bar tacking)		SA3610-001 (下沉式 S / Submerged -type,S)		SA6346-201	
								
压脚 Work clamp  螺栓 Bolt	S59909-001	S59892-001	S59909-001	S59892-001				
								

	17		18		19	
R	S46777-001 (菊花形 / For circular stitching)		S46780-001 (半月形 / For crescent bar tacking)		SA2236-001 (半月形 / For crescent bar tacking)	
L	S46776-001 (菊花形 / For circular stitching)		S46779-001 (半月形 / For crescent bar tacking)		SA2235-001 (半月形 / For crescent bar tacking)	
(C-68, 69) 压脚 Work clamp						
(C-28) 送料板 Feed plate	SA3623-001 (菊花形 / For circular stitching)		SA3624-001 (半月形 / For crescent bar tacking)		SA3625-001 (半月形 / For crescent bar tacking)	
						
压脚 Work clamp  螺栓 Bolt	156006-001	S59892-001	156006-001	S59892-001	S59909-001	S59892-001
						

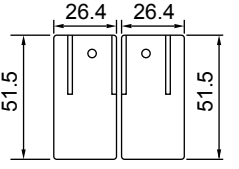
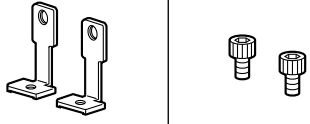

Ga . 工模具一览表 (ST-8430D, ST-8438D) / Gauge parts list (ST-8430D, ST-8438D)

送料板 半成品 Feed plate blank	SA3626-001 (有滚花 / With lozenge)	SA3627-001 (有滚花 / With lozenge)
		

(K-61) 其他针孔板 / For other needle hole plate

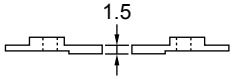
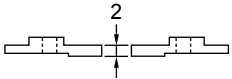
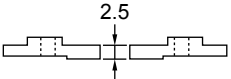
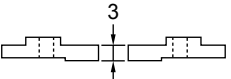
ST-8430D			ST-8438D	
SA3645-201	SA3646-201	SA5221-001	SA3654-201	SA7502-001
				

特别订货 (ST-8430D) / For specially orderd (ST-8430D)






	-1			
R	SA4195-001	S59909-001	S59892-001	SA3817-001 (无滚花 / Without lozenge)
L	SA4196-001			
压脚 半成品 Work clamp blank		压脚 Work clamp		送料板 半成品 Feed plate blank
		螺栓 Bolt		

(E) 选购件 (ST-8438D) / Option parts (ST-8438D)

钮夹垫 / Button clamp spacer

AL	S52071-101 (E-39)	BL	S52072-101 (E-36)	CL	S52073-101 (E-43)	DL	S52074-101 (E-45)
AR	S52075-101 (E-40)	BR	S52076-101 (E-37)	CR	S52077-101 (E-44)	DR	S52078-101 (E-46)
							

Wa. 警告标签 / Warning labels

警告标签 / Warning labels	零部件名称 / Name of parts	尺寸 / Size(mm)	零部件序号 / Code
	<p>感电标签 (6国) Label, elec. shock 6 lang</p>	<p>50 X 118</p>	<p>J04115-001</p>
	<p>操作注意标签 (日 / 英) Label, caution Jpn / Eng</p>	<p>64 X 40</p>	<p>SA2040-001</p>
	<p>操作注意标签 (中 / 英) Label, caution Chn / Eng</p>	<p>64 X 40</p>	<p>SA2041-001</p>
	<p>接地标记 Label, grounding</p>	<p>φ 12</p>	<p>S37060-001</p>
	<p>PE标记 Label, PE</p>	<p>7.5 X 12.5</p>	<p>S37059-001</p>

## 索引 / Index

CODE	REF.NO	Page	CODE	REF.NO	Page	CODE	REF.NO	Page	CODE	REF.NO	Page
004300513	A -12	2	018061236	N -2	30	028050246	K -74	22	070608800	C -17	6
011679312	E -16	12		N -16	30		Z -50	50	070688850	D -33	10
012060536	C -45	6	018061636	C -70	8	028060246	Z -14	50	070696800	D -18	10
	D -32	10		D -44	10		Z -97	52	071031840	C -73	8
	D -38	10	018063036	C -6	6	032461606	Z -66	52	081003670	F -18	14
	F -6	14	018063536	C -34	6	037301215	Z -3	50	081005070	L -15	26
012060636	B -26	4	018300636	N -24	30	047250642	E -22	12	081007070	M -12	28
	C -8	6	018400836	C -72	8	047301042	D -27	10	0A4261005	T -8	42
	C -13	6		R -4	38	047602042	D -4	10	0A4300805	N -19	30
	C -15	6	018401036	C -21	6	048040342	K -18	22		T -6	42
	C -19	6		R -2	38		L -14	26		T -16	42
	C -27	6		R -6	38		L -23	26	0A4400806	K -6	22
	D -13	10	018401236	J -13	20		M -7	28	0A4401005	T -14	42
	D -22	10	018401636	B -29	4	048050342	J -10	20	0A4501005	U -2	44
	D -28	10	018500836	C -48	6		J -19	20	0A5300606	T -12	42
	D -48	10		C -56	6	048060342	C -12	6	0A5301605	R -25	38
	F -9	14	018501232	F -39	14	048060346	C -43	6	0A5401006	R -17	38
	F -16	14		K -40	22		D -30	10		R -23	38
	F -35	14	018501636	B -3	4	048070342	F -37	14		R -27	38
	H -28	18		B -40	4		N -9	30		R -29	38
	K -37	22	021060106	K -26	22	048080142	C -18	6		R -32	38
	K -49	22		K -30	22		K -36	22	0B0452006	S -9	40
	L -2	26		K -43	22	048080342	D -11	10	0B1351606	Z -86	52
	N -10	30		Z -15	50		D -24	10	100136001	H -20	18
	Z -8	50		Z -64	52		L -9	26	100360003	K -62	24
012300336	B -21	4		Z -98	52	060670512	V1 -25	46	100401021	J -31	20
	B -24	4	021060306	K -28	22	061300816	Z -70	52	100402004	H -17	18
012400436	F -12	14		K -45	22	062060816	G -9	16	100887001	Z -28	50
	J -17	20	021300106	Z -71	52		G -28	16	101572101	Z -26	50
	J -23	20	021400216	D -42	10	062061016	A -6	2	102630001	D -8	10
	K -11	22	021400306	M -4	28		D -50	10	102707002	M -5	28
	K -17	22	021500106	Z -51	50		G -3	16		V1 -7	46
	N -5	30		Z -56	50		J -35	20	104449001	A -8	2
	N -22	30	021710212	V1 -22	46		Z -78	52	104525101	Sp	53
012500536	B -23	4	025030236	A -18	2	062300416	A -17	2	104821001	A -3	2
	B -37	4		K -60	24		B -5	4	105234003	E -8	12
	C -4	6		K -70	24		K -58	24	105343001	Z -87	52
	C -46	6		N -25	30		K -69	24	107606101	Sp	53
	C -65	8	025040236	D -41	10	062300506	Z -74	52	107744001	D -40	10
	D -12	10		L -22	26	062300616	F -25	14		E -6	12
	D -20	10		R -15	38	062300816	R -8	38	107779001	Z -27	50
	D -25	10		R -21	38		R -11	38	107780001	Z -29	50
	F -11	14	025050134	L -13	26	062350616	J -8	20	109239002	A -15	2
	F -47	14	025050236	C -50	6	062400416	E -25	12	110215002	Z -89	52
	J -3	20		M -8	28	062400616	G -7	16	110367001	B -20	4
	J -34	20	025060236	C -32	6		G -11	16		C -42	6
	L -6	26		C -37	6		Z -75	52	114483002	Z -22	50
	L -10	26		C -71	8	062400806	B -39	4	114486002	Z -5	50
	L -17	26		D -45	10	062400816	B -41	4	115147001	E -14	12
013719412	V1 -13	46		Z -96	52		E -54	12	115148201	E -13	12
014400632	T -3	42	025060336	Z -13	50		K -4	22	115163001	E -32	12
014500632	T -18	42		Z -65	52	062401006	A -20	2	115166001	V2 -9	48
014680432	V1 -18	46	025660132	Z -90	52		L -21	26	117608001	A -24	2
014680632	E -3	12	025710232	V1 -23	46	062500616	H -2	18	117934001	A -2	2
014760632	E -9	12	026030136	F -24	14		H -4	18	118064001	Z -34	50
	Z -85	52	026030236	Z -72	52		H -6	18	118837001	Z -25	50
017400802	R -13	38	026040136	K -78	22		J -29	20	119755001	Z -95	52
	R -19	38		Z -76	52		V1 -32	46	120448001	J -22	20
017401015	M -3	28	028030246	K -59	24	062501016	A -9	2	120990001	V1 -15	46
017711412	E -10	12		R -9	38	062501406	Z -59	50	122991001	Z -17	50
018061236	C -31	6	028040246	R -14	38	062670412	H -31	18	133740006	Z -63	52
	C -36	6		R -20	38	062670712	V1 -11	46	140392009	A -1	2
	D -35	10	028050246	C -49	6	062670812	V1 -6	46		A -4	2

CODE	REF.NO	Page	CODE	REF.NO	Page	CODE	REF.NO	Page	CODE	REF.NO	Page
142002001	Z -31	50	153050000	G -30	16	J04388001	T -15	42	S33006001	Z -62	52
142443001	Z -24	50	153057101	C -29	6	J04392001	R -33	38	S33747001	Ga	55
142677101	V1 -4	46		Z -80	52	J04488001	T -9	42	S33748001	Ga	55
142678101	V1 -5	46	153113001	C -11	6	J80991001	T -1	42	S37037001	Z -58	50
142680001	V1 -14	46	153201001	Ga	55	S00705001	K -55	24	S37038001	Z -57	50
142681001	V1 -8	46	153202001	Ga	55	S00906001	Ga	55	S37059001	Wa	58
142686101	V1 -24	46	153203001	Ga	55	S00907001	Ga	55	S37060001	A -22	2
142689409	V1 -2	46	153204001	Ga	55	S01005000	Z -43	50	Wa	58	
142706001	V1 -10	46	153484001	E -7	12	S01694001	E -38	12	S38033002	L -18	26
142721001	Z -33	50	153567000	C -61	8	S02429201	F -20	14	S38648001	Z -41	50
142990001	Z -55	50	153568001	C -59	8	S02652001	K -13	22	S38713100	B -38	4
143671000	G -21	16	153596001	N -8	30	S02745001	V2 -6	48	S39690021	K -9	22
144226001	Z -61	52	153608101	Sp	54	S02747101	Z -44	50	S42903001	C -75	8
144458001	B -31	4	153827001	E -2	12	S02763502	Z -36	50	S44483001	Z -67	52
144588401	Sp	53	153830100	E -1	12	S02778002	Z -52	50	S44484001	Z -68	52
145446001	H -16	18	153838001	D -47	10	S02787002	Z -53	50	S44485001	Z -69	52
	H -22	18	153843009	Z -84	52	S03641101	V1 -29	46	S45849000	G -16	16
	J -30	20	153922001	G -17	16	S06706001	Z -93	52	S46770001	Ga	55
145465001	B -25	4	154125001	Z -32	50	S07333001	G -23	16	S46773001	Ga	55
146080000	G -24	16	154179001	Z -99	52	S07783001	Z -30	50	S46774001	Ga	55
146202000	R -22	38	154339101	Sp	53	S09658001	V2 -4	48	S46776001	Ga	56
146352002	K -75	22	154340101	Sp	53	S09659001	V2 -7	48	S46777001	Ga	56
146354001	E -11	12	154341001	Sp	53	S09660001	V2 -8	48	S46779001	Ga	56
146354002	C -55	6	154467001	Z -2	50	S09686001	V2 -5	48	S46780001	Ga	56
146360002	Z -92	52	154527001	Sp	54	S10202201	N -21	30	S47307001	F -30	14
146994001	E -12	12	154596000	K -23	22	S10268001	J -26	20	S48664001	Sp	53
148847001	Z -100	52	154599000	K -12	22	S10438001	J -18	20	S49484000	P1 -31	32
149547000	R -16	38		M -2	28	S11817000	R -30	38	S49668101	U -4	44
150172003	Z -45	50	154684009	V1 -3	46	S12441001	H -13	18	S49694001	Sp	54
150173003	Z -48	50	154685001	V1 -9	46		J -33	20	S49695001	Sp	54
150174000	Z -42	50	154686001	V1 -12	46	S12699000	H -10	18	S49955101	C -76	8
	Z -46	50	154695001	V1 -16	46	S13184001	V2 -11	48	S49992000	G -12	16
150179002	Z -49	50	154696001	V1 -17	46	S15665001	Sp	53	S49998001	E -15	12
150182000	Z -38	50	154697001	V1 -19	46	S15667001	Sp	53	S50529000	G -14	16
150183000	Z -54	50	154713001	V1 -21	46	S16492101	Sp	53	S51282101	Z -39	50
150206002	Z -40	50	155559001	N -3	30	S18642009	Z -83	52	S51283001	Z -37	50
150335001	Z -35	50		N -17	30	S20356001	D -10	10	S51846101	U -6	44
151968001	E -4	12		N -20	30		D -23	10	S52071101	E -39	12
151969001	E -5	12	156006001	Ga	55		L -8	26	Ga	57	
152682201	Sp	53		Ga	56	S20878000	A -25	2	S52072101	E -36	12
152684101	F -23	14	156112003	Z -47	50		A -26	2	Ga	57	
152686201	Sp	53	156336101	V1 -20	46	S23418002	J -15	20	S52073101	E -43	12
152690501	Sp	53	159224001	H -23	18	S23651001	B -9	4	Ga	57	
152744001	D -7	10	159486001	J -9	20		B -12	4	S52074101	E -45	12
152777001	Sp	54		J -24	20		B -15	4	Ga	57	
	Ga	55	159610401	Sp	53		B -19	4	S52075101	E -40	12
152778001	Sp	54	159613051	Sp	53		F -8	14	Ga	57	
	Ga	55	159805001	H -15	18		J -37	20	S52076101	E -37	12
152779001	Ga	55	159938001	Z -91	52		K -2	22	Ga	57	
	Ga	56	159939001	Z -88	52		K -19	22	S52077101	E -44	12
152780001	Ga	55	200190001	Z -60	50	S25235001	B -16	4	Ga	57	
	Ga	56	231071001	K -20	22	S25310101	K -72	24	S52078101	E -46	12
152781001	Sp	54	554482000	R -31	38		V2 -10	48	Ga	57	
	Ga	55	616167001	P2 -12	34	S25475001	K -29	22	S55663001	Z -23	50
152782001	Sp	54	J03955001	T -2	42	S28044001	A -23	2	S56877000	G -19	16
	Ga	55	J03956001	T -4	42	S28415000	G -15	16	S59221301	Sp	53
152788000	C -60	8	J03957001	T -5	42	S31032001	H -12	18	S59886001	F -32	14
152881001	H -27	18	J03958001	T -7	42		J -32	20	S59892001	Ga	55
152883000	H -29	18	J03983001	T -10	42	S32264001	Z -16	50	Ga	56	
152884001	H -30	18	J03984001	T -11	42	S32462001	K -27	22	Ga	57	
152936001	J -6	20	J04115001	Wa	58		K -44	22	S59909001	Ga	56
152937001	J -7	20	J04230001	T -13	42	S32465101	K -25	22	Ga	57	
153049001	H -7	18	J04303001	T -17	42		K -42	22	SA1179002	C -58	8

## 索引 / Index

CODE	REF.NO	Page	CODE	REF.NO	Page	CODE	REF.NO	Page	CODE	REF.NO	Page
SA1302001	G - 18	16	SA3263001	A - 11	2	SA3353201	N - 6	30	SA3477001	R - 10	38
SA1579012	Sp	54	SA3264001	A - 13	2	SA3354001	N - 7	30	SA3481001	R - 24	38
SA1579019	Sp	54	SA3265001	A - 14	2	SA3355001	N - 11	30	SA3486001	R - 28	38
SA1737011	Sp	54	SA3266101	A - 16	2	SA3357101	N - 14	30	SA3487001	C - 66	8
SA1752009	Sp	54	SA3273001	F - 15	14	SA3361001	N - 18	30	SA3488001	B - 27	4
SA1752014	Sp	54	SA3274101	F - 29	14	SA3363001	C - 1	6	SA3489001	Z - 79	52
SA1881001	Sp	53	SA3275001	F - 31	14	SA3364001	C - 2	6	SA3497001	B - 17	4
SA1882001	Sp	53	SA3276001	F - 33	14	SA3366001	C - 5	6	SA3499001	B - 2	4
SA1984001	J - 12	20	SA3277001	F - 34	14	SA3367001	C - 9	6	SA3503201	G - 5	16
SA1988001	J - 25	20	SA3278001	F - 36	14	SA3368001	C - 10	6	SA3504201	G - 6	16
SA1994101	J - 38	20	SA3279001	G - 4	16	SA3370001	C - 16	6	SA3519201	U - 1	44
SA2040001	A - 21	2	SA3280001	G - 26	16	SA3371001	C - 20	6	SA3523001	R - 26	38
	Wa	58	SA3282001	G - 8	16	SA3372001	C - 22	6	SA3528001	B - 28	4
SA2041001	A - 21	2	SA3283101	F - 46	14	SA3373001	C - 25	6	SA3533001	C - 3	6
	Wa	58	SA3284201	F - 38	14	SA3378001	Sp	54	SA3534001	C - 26	6
SA2173301	Sp	53	SA3287001	G - 22	16	SA3379001	G - 13	16	SA3538001	C - 23	6
SA2229001	Ga	56	SA3289101	J - 1	20	SA3380001	Z - 21	50		K - 73	24
SA2230001	Ga	56	SA3290001	J - 2	20	SA3381001	C - 30	6	SA3540001	Z - 4	50
SA2232001	Ga	56	SA3291001	J - 4	20	SA3382001	C - 35	6	SA3581001	P1 - 46	32
SA2233001	Ga	56	SA3293001	J - 11	20	SA3383001	Z - 1	50	SA3589001	B - 13	4
SA2235001	Ga	56	SA3294001	J - 14	20	SA3384001	Z - 7	50	SA3591001	B - 17	4
SA2236001	Ga	56	SA3295001	J - 16	20	SA3385001	Z - 9	50	SA3604001	C - 24	6
SA2626001	C - 63	8	SA3296001	J - 20	20	SA3387001	Z - 12	50	SA3606001	Sp	54
SA2958001	B - 22	4	SA3297001	J - 21	20	SA3388001	Z - 77	52	SA3607001	Sp	54
SA3025001	B - 36	4	SA3298001	J - 27	20	SA3392001	Z - 11	50	SA3608001	Ga	55
SA3199001	A - 7	2	SA3299001	J - 28	20	SA3395001	Z - 10	50	SA3609001	Sp	54
SA3200101	A - 19	2	SA3300001	J - 36	20	SA3419101	C - 38	6	SA3610001	Ga	56
SA3201101	B - 1	4	SA3303101	K - 5	22	SA3420001	C - 39	6	SA3611001	Sp	54
SA3206001	B - 6	4	SA3304301	K - 3	22	SA3421001	C - 40	6		Ga	55
	B - 10	4	SA3305001	K - 7	22	SA3422001	C - 41	6	SA3612001	Ga	55
SA3208201	C - 54	6	SA3306001	K - 8	22	SA3423001	C - 47	6	SA3613001	Ga	55
SA3210001	B - 13	4		M - 11	28	SA3424001	C - 51	6	SA3614001	Ga	55
SA3222001	B - 30	4	SA3307001	K - 10	22	SA3425001	C - 52	6	SA3615001	Ga	55
SA3223001	B - 32	4	SA3309001	K - 14	22	SA3426001	C - 53	6	SA3616001	Ga	55
SA3224001	B - 33	4	SA3310001	K - 15	22	SA3427101	C - 57	6	SA3617001	Ga	55
SA3225101	B - 35	4	SA3311001	K - 16	22	SA3428001	C - 64	8	SA3618001	Ga	55
SA3226001	F - 1	14	SA3312201	K - 21	22	SA3432001	D - 3	10	SA3619001	Ga	55
SA3227001	F - 2	14	SA3313101	K - 22	22	SA3434001	D - 6	10	SA3620001	Ga	56
SA3228101	F - 3	14	SA3315001	K - 24	22	SA3435001	D - 9	10	SA3621001	Ga	55
SA3231001	C - 44	6	SA3317001	K - 32	22	SA3436001	D - 14	10	SA3622001	Ga	56
	D - 31	10	SA3319101	K - 34	22	SA3437001	D - 15	10	SA3623001	Ga	56
	F - 5	14	SA3320101	K - 38	22	SA3438001	D - 16	10	SA3624001	Ga	56
SA3233001	F - 7	14	SA3321001	K - 39	22	SA3439001	D - 17	10	SA3625001	Ga	56
SA3234101	F - 10	14	SA3323001	K - 41	22	SA3441001	D - 19	10	SA3626001	Ga	57
SA3237001	F - 13	14	SA3324001	K - 46	22		L - 5	26	SA3627001	Ga	57
SA3238101	F - 17	14	SA3325001	K - 47	22		L - 16	26	SA3628001	D - 5	10
SA3239201	F - 19	14	SA3326001	K - 48	22	SA3442001	D - 21	10	SA3629001	D - 39	10
SA3241001	F - 22	14	SA3327301	K - 50	22	SA3443101	D - 26	10	SA3630001	D - 43	10
SA3242001	F - 27	14	SA3333001	K - 77	24	SA3444001	D - 29	10	SA3631001	D - 46	10
SA3244001	G - 1	16	SA3334001	K - 56	24	SA3445001	D - 34	10	SA3635101	H - 24	18
SA3245001	G - 2	16		Z - 101	52	SA3446001	D - 36	10		Z - 94	52
SA3246001	G - 25	16	SA3336101	Sp	53		L - 11	26		Sp	54
SA3249001	G - 10	16	SA3337001	K - 63	24	SA3447001	L - 1	26	SA3645201	V1 - 30	46
SA3250001	H - 1	18	SA3341001	K - 66	24	SA3448001	L - 3	26		Ga	57
SA3252001	H - 5	18	SA3342001	K - 67	24	SA3449001	L - 4	26	SA3646201	Sp	53
SA3254001	H - 8	18	SA3343001	K - 68	24	SA3451001	L - 7	26		Ga	57
SA3255001	H - 11	18	SA3344001	K - 71	24	SA3452001	L - 12	26	SA3652201	Sp	53
SA3256001	H - 19	18	SA3345001	M - 1	28	SA3458001	L - 19	26	SA3653201	Sp	53
SA3257101	H - 25	18	SA3347001	M - 6	28	SA3459101	L - 20	26	SA3654201	Ga	57
	Sp	54	SA3348001	M - 9	28	SA3464001	L - 24	26	SA3655001	K - 52	22
SA3258001	H - 26	18	SA3349001	M - 10	28	SA3465201	R - 1	38	SA3707001	D - 37	10
SA3260001	A - 5	2	SA3351001	N - 1	30	SA3469201	R - 3	38	SA3708001	C - 33	6
SA3262101	A - 10	2	SA3352101	N - 4	30	SA3472201	R - 5	38	SA3720101	P1 - 17	32

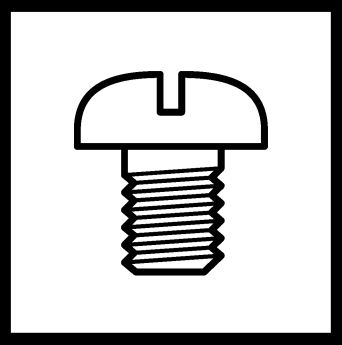


CODE	REF.NO	Page	CODE	REF.NO	Page	CODE	REF.NO	Page	CODE	REF.NO	Page
SA3722001	P1 -30	32	SA4196001	Ga	57	SA9296001	E -30	12			
SA3724101	P1 -24	32	SA4197001	C -14	6	SA9297001	E -31	12			
SA3739601	P1 -28	32	SA4198001	C -74	8	SA9298001	E -33	12			
SA3744001	P1 -29	32	SA4199001	F -21	14	SA9299001	E -34	12			
SA3755301	P2 -1	34	SA4221001	G -27	16	SA9300001	E -35	12			
SA3762001	P2 -5	34	SA4222001	G -29	16	SA9301001	E -27	12			
SA3765001	P2 -2	34	SA4315001	Sp	53	SA9302001	E -53	12			
SA3766001	P2 -3	34	SA4327001	B -18	4	SA9303001	E -47	12			
SA3767001	P2 -4	34	SA4329001	K -65	24	SA9304001	E -48	12			
SA3768001	P2 -6	34	SA4330001	K -64	24	SA9305001	E -49	12			
SA3769001	P2 -7	34	SA4333001	H -3	18	SA9306001	E -50	12			
SA3770001	P2 -8	34	SA4347001	R -12	38	SA9307001	E -51	12			
SA3771001	P2 -9	34	SA4348001	R -18	38	SA9308001	E -52	12			
SA3784001	U -5	44	SA4354001	K -51	22	SA9315001	K -1	22			
SA3789101	Q -11	36		N -13	30	SA9396001	F -26	14			
SA3794001	P2 -10	34	SA4461001	N -12	30	SA9397001	F -51	14			
SA3795001	P2 -11	34	SA4510101	Q -12	36	XC5780001	C -7	6			
SA3796001	P1 -48	32	SA4518001	K -54	24						
SA3797001	P1 -22	32	SA4519001	K -76	24						
SA3806001	P1 -37	32	SA4545001	K -35	22						
SA3808101	P1 -18	32	SA4546001	K -31	22						
SA3809101	Q -8	36	SA5137001	N -23	30						
SA3812001	Q -7	36	SA5138001	N -15	30						
SA3813101	Q -1	36	SA5221001	Ga	57						
SA3816101	Q -6	36	SA6128001	F -49	14						
SA3817001	Ga	57	SA6129001	F -50	14						
SA3819101	Q -3	36	SA6133001	Sp	53						
SA3820101	Z -6	50	SA6156001	V2 -1	48						
SA3822001	Q -2	36	SA6157001	V2 -2	48						
SA3823001	Q -5	36	SA6158001	V2 -3	48						
SA3824001	Q -14	36	SA6346201	Ga	56						
SA3825001	Q -4	36	SA6364001	P1 -13	32						
SA3826001	Q -9	36	SA6397001	K -56	24						
SA3827001	Q -10	36		Z -101	52						
SA3828001	Q -13	36	SA6398001	K -56	24						
SA3829101	S -1	40		Z -101	52						
SA3831001	S -3	40	SA6429001	K -53	24						
SA3833201	S -7	40	SA6431001	K -57	24						
SA3838101	Q -15	36	SA6432001	K -53	24						
SA3839001	S -8	40	SA6492101	V1 -1	46						
SA4068101	F -4	14	SA6493001	V1 -26	46						
SA4072001	D -49	10	SA6504001	V1 -31	46						
SA4104001	Z -73	52	SA6505014	V1 -27	46						
SA4127001	R -7	38	SA6509001	Sp	54						
SA4130001	C -62	8	SA6510001	Sp	54						
SA4131001	K -1	22	SA6511201	Sp	54						
SA4143001	H -18	18	SA6563001	B -18	4						
SA4145001	C -67	8	SA6596001	K -53	24						
SA4146001	H -21	18	SA6597001	K -57	24						
SA4171001	J -5	20	SA7502001	Ga	57						
SA4172001	B -4	4	SA8010001	G -20	16						
SA4173001	B -4	4	SA8197101	Sp	53						
SA4174001	B -4	4	SA8771001	Z -81	52						
SA4175001	B -4	4	SA9058001	Sp	53						
SA4177001	B -11	4	SA9191001	F -28	14						
SA4178001	B -14	4	SA9287001	E -17	12						
SA4179001	B -7	4	SA9288001	E -18	12						
SA4180001	B -8	4	SA9289001	E -19	12						
SA4187001	F -14	14	SA9290001	E -20	12						
SA4188001	F -14	14	SA9291001	E -21	12						
SA4189001	F -14	14	SA9292001	E -23	12						
SA4190001	F -14	14	SA9293001	E -24	12						
SA4195001	Ga	57	SA9294001	E -26	12						

# MEMO

# MEMO

**Suote**



零件手册  
PARTS BOOK